

Omnia ULS

Vertical wall-mounting or free-standing installation

- Compact dimensions, thickness 129 mm
- Low operating temperature
- Cooling, heating, and dehumidification



EUROVENT FCH

DESCRIPTION

The Omnia Slim fan coils have been designed to meet the need to combine the typical features of a classic radiator - namely reduced depth and quiet operation - with the ability of a fan coil to air-condition rooms throughout the year.

They can be installed on any system with a 2-pipe system and it fits with any heat generator even at low temperatures, and thanks to varied versions and settings, it is easy to pick the ideal solution for any need.

FEATURES

Case

12/10 and 10/10mm galvanised sheet metal structure.

Front cover in 10/10 mm galvanised sheet metal with RAL9003 white epoxy powder coating and thermal-acoustic insulation of 15 mm thickness.

Ventilation group

These fan coils have extremely silent ventilation by using special tangential fans, which guarantees maximum acoustic comfort.

The electric motor is a 3-speed single-phase motor with a permanently inserted condenser.

Heat exchanger coil

With copper pipes and aluminium fins, the main coil has female gas water connections on the left side and the manifolds have air vents.

The coil is not suitable for use in corrosive atmosphere or in environments where aluminium may be subject to corrosion.

- *The coil has hydraulic connections on the left and is not reversible.*

Control

With thermostatic adjustment and manual or no-adjustment switching, for combination with any wall panel or with the AERMEC VMF system.

ACCESSORIES

BCSV: Condensate drip.

PTINS: Electronic thermostat.

T-TOUCHS: Touch control installation on-board the fan coil. The ThermApp application is also available for remote control with smart devices with the Android operating system.

VCS2: 2-way motorised valve kit without insulating shell. The kit is made up of a valve, actuator and relative hydraulic fittings.

VCS3: 3-way motorised valve kit for the main coil. The kit is made up of a valve with its insulating shell, actuator and relative hydraulic fittings.

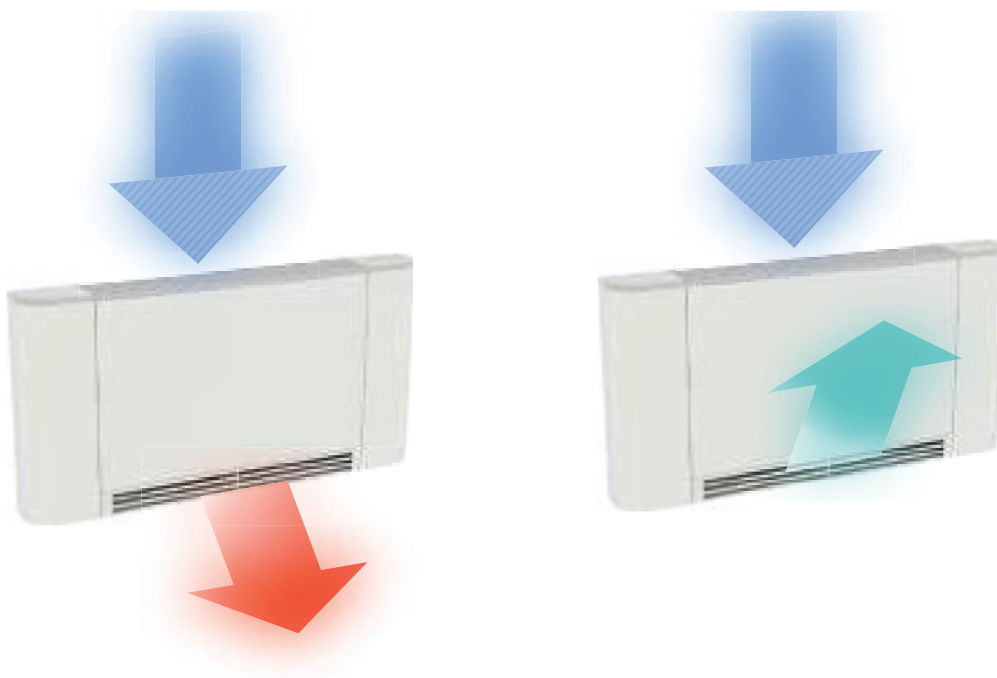
ZXS: Pair of static and structural feet.

MAIN FEATURES



- 1 Air/water exchange coil with aluminium fins and copper piping, measuring 9.52mm and arranged across 2 rows.
- 2 Front cover in 10/10 mm galvanised sheet metal with RAL9003 white epoxy powder coating and thermal-acoustic insulation of 15 mm thickness.
- 3 Air filter.
- 4 3-speed motor
- 5 Aluminium recovery grille and sheet metal delivery grille, with a special design conceived to create a homogeneous flow of air, both in summer and winter operation.

Flow rates



ACCESSORIES COMPATIBILITY

Model	10	20	30	40	50
PTINS
T-TOUCHS

3 way valve kit

Model	10	20	30	40	50
VCS3 (1)

(1) Power supply 230V - Hydraulic connections Ø 1/2"

2 way valve kit

Model	10	20	30	40	50
VCS2 (1)

(1) Power supply 230V - Hydraulic connections Ø 1/2"

Pair of stylish structural feet

Model	10	20	30	40	50
ZXS

PERFORMANCE SPECIFICATIONS

2-pipe

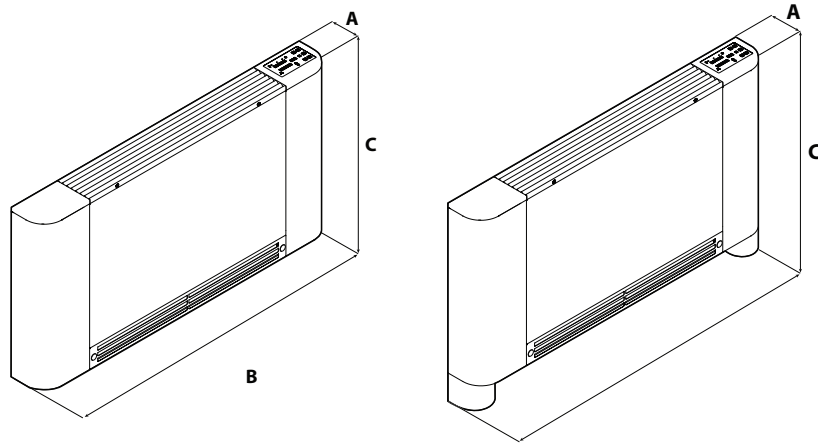
		ULS10	ULS20	ULS30	USL40	ULS50
Heating performance 70 °C / 60 °C (1)						
Heating capacity	kW	1,64	3,14	4,08	5,23	6,23
Water flow rate system side	l/h	144	274	357	457	545
Pressure drop system side	kPa	7	22	16	25	17
Heating performance 45 °C / 40 °C (2)						
Heating capacity	kW	0,82	1,56	2,03	2,60	3,10
Water flow rate system side	l/h	142	271	353	452	539
Pressure drop system side	kPa	7	23	17	27	18
Cooling performance 7 °C / 12 °C (3)						
Cooling capacity	kW	0,80	1,53	1,99	2,55	3,04
Sensible cooling capacity	kW	0,62	1,19	1,55	1,99	2,37
Water flow rate system side	l/h	137	263	342	438	522
Pressure drop system side	kPa	8	26	19	30	20
Fan						
Type	type	Tangential	Tangential	Tangential	Tangential	Tangential
Fan motor	type	On-Off	On-Off	On-Off	On-Off	On-Off
Number	no.	1	1	1	2	2
Air flow rate	m ³ /h	115	210	270	350	390
Input power	W	18	20	24	27	30
Sound power	dB(A)	52,0	52,0	53,0	54,0	55,0
Diameter hydraulic fittings						
Main coil	Ø	1/2"	1/2"	1/2"	1/2"	1/2"
Power supply						
Power supply		230V~50Hz	230V~50Hz	230V~50Hz	230V~50Hz	230V~50Hz

(1) Room air temperature 20 °C d.b.; Water (in/out) 70 °C/60 °C

(2) Room air temperature 20 °C d.b.; Water (in/out) 45 °C/40 °C; EUROVENT

(3) Room air temperature 27 °C d.b./19 °C w.b.; Water (in/out) 7 °C/12 °C; EUROVENT

DIMENSIONS



Size			10	20	30	40	50
Dimensions and weights							
A	.	mm	129	129	129	129	129
B	.	mm	730	922	1114	1298	1490
C	.	mm	579	579	579	579	579
D	.	mm	80	80	80	80	80

Aermec reserves the right to make any modifications deemed necessary.
All data is subject to change without notice. Aermec does not assume
responsibility or liability for errors or omissions.

Aermec S.p.A.
Via Roma, 996 - 37040 Bevilacqua (VR) - Italia
Tel. 0442633111 - Telefax 044293577
www.aermec.com