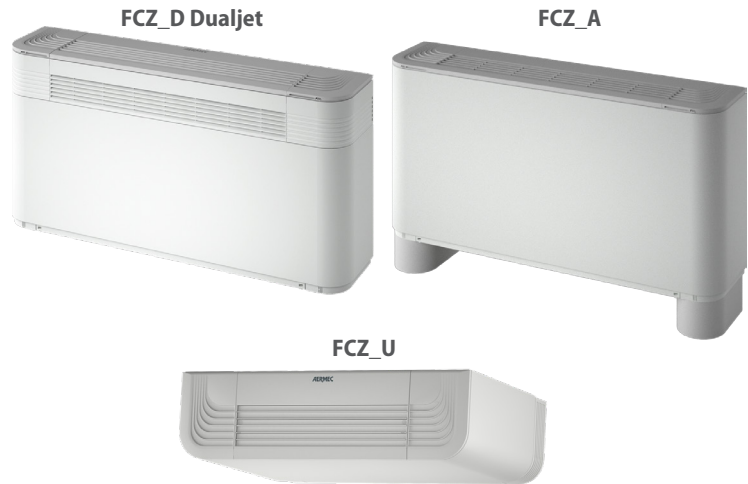


FCZ

Fan coils Universal and floor installation



- **Extremely silent operation**
- **Advanced controller allowing programming via smart devices**
- **Dualjet version for highest four-season comfort**



EUROVENT LCP

Drawing from its wide experience in the field of fan coils, Aermec presents the new FCZ series: elegant design goes hand in hand with low noise and notable energy savings.

FCZ can be installed in any 2/4 pipe system and operates with any heat generator even at low temperatures. Thanks to numerous configurations and models Aermec offers the ideal solution for any need.

Versions without installed controller

Vertical or horizontal installation:

FCZ_U
FCZ_UA
FCZ_UF

Vertical installation:

FCZ_DS
FCZ_AS
FCZ_AF

Versions with installed controller

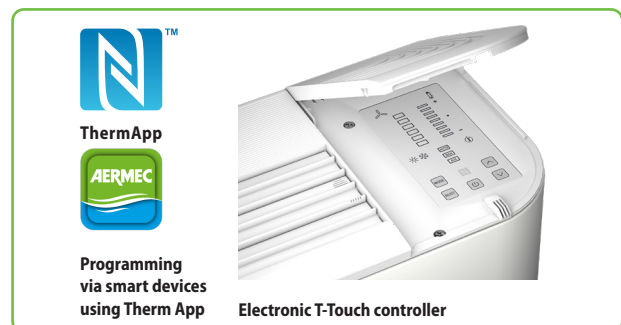
Vertical installation:

FCZ_D
FCZ_A
FCZ_ACT
FCZ_APC

- Housing RAL9003, grille/feet RAL 7047
- 3-speed fan.
- Electric motors with permanently inserted condensers
- Metallic protective cabinet with rustproofing polyester paint
- Adjustable air distribution grille (U version)
- Automatic power-off function with closure of the air delivery grille, (U version)
- Low pressure drop coil
- Easy installation and maintenance

- **G2** air filter for all versions. **APC versions equipped with Coldplasma Air purifier:** this is able to reduce pollutants, decomposing their molecules using electrical charges, causing the water molecules in the air to split into positive and negative ions. These ions neutralise the molecules in the gaseous pollutants, obtaining products normally present in clean air. The device is able to eliminate 90% of the bacteria. The result is clean, ionized air, free of foul odours.
- Extractable shrouds for easy, effective cleaning
- The hydraulic connections can be inverted during installation (only valid for units with a single coil, those with a supplementary coil cannot be inverted).

The ThermApp application (applicable with T-TOUCH controller) operates by simply placing a smart device on the fan coil. The App allows working mode and time schedule programming, sleep mode activation, alarm listing, etc. ThermApp is available for Android Operating Systems.



ThermApp



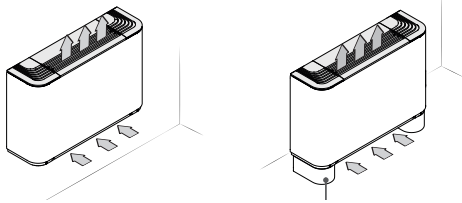
Programming via smart devices using Therm App



Electronic T-Touch controller

CONFIGURATIONS AVAILABLE

With fixed grille (vertical free-standing) - A



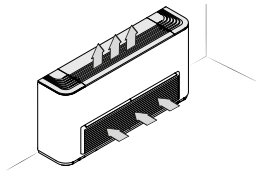
FCZ_A
— With switch

FCZ_AS
— Without installed controller
— Compatible with VMF system

FCZ_ACT
— With electronic controller (for 2 pipe systems)

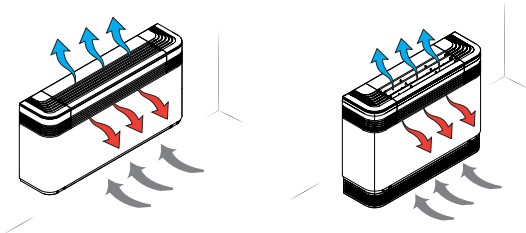
FCZ_APC
— With electronic controller (for 2 pipe systems)
— With Cold Plasma purifier

Vertical installation only
— For 2/4 pipe systems



FCZ_AF
— Without installed controller
— Compatible with VMF system
— Front intake louver

With double flow (Dualjet) - D



Dualjet, unique to Aermec, offers notably improved seasonal comfort by directing the air flow according to the season. In winter warm air is directed towards the floor; in summer cool air is directed towards the ceiling.

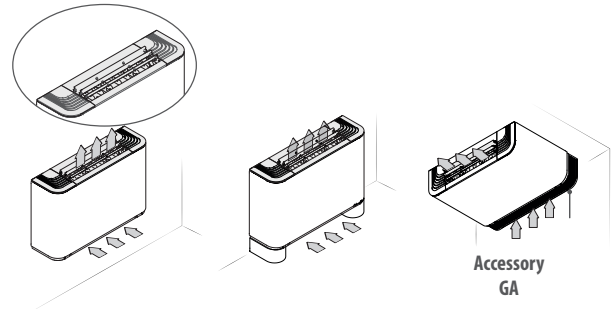
FCZ_D With installed controller
FCZ_DS Without installed controller

FCZ_DS units are compatible with the T-TOUCH controller and VMF system, (contact Aermec for further details)
— The air supply orientation (frontal or top) is adjusted by acting directly on the grille.

Vertical installation only
— For 2 pipe system (4 pipe system with VCF_X4, VMF system or T-TOUCH)

With adjustable/fixed grille (Universal) - U

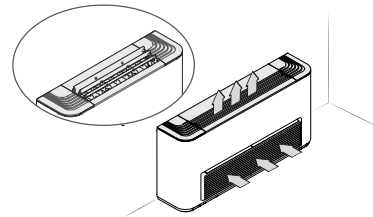
With adjustable air distribution grille - U



FCZ_U
— Without installed controller
— Compatible with VMF system
— Adjustable grille
 Single for size 1-2-3
 Three independent for sizes 4-5-6-7-8-9-10

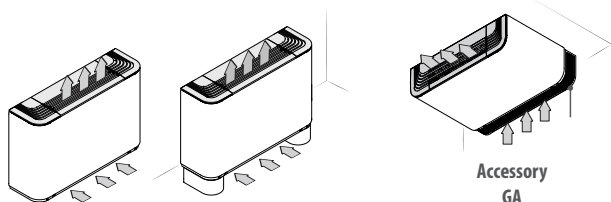
With the flap completely closed the unit is off

Vertical or horizontal installation
— For 2/4 pipe systems



FCZ_UF
— Without installed controller
— Compatible with VMF system
— Adjustable grille front intake louver

With fixed air distribution grille - UA



FCZ_UA
— Without installed controller
— Compatible with VMF system
— Fixed grille

Vertical or horizontal installation
— For 2/4 pipe systems

CONFIGURATOR

Field	Description
1,2,3	FCZ
4	Size
	1-2-3-4-5-6-7-8-9-10
5	Main coil
0	Standard
5	Oversized (1)
6	Supplementary coil
0	Without coil
1	Standard
2	Oversized
7,8	Versions
D	Dualjet with installed controller
DS	Dualjet without installed controller

(1) Oversized coil "5" does not allow the installation of the supplementary coil "1 or 2"

Field	Description
A	Free standing with switch
AS	Free standing without switch
AF	Free standing without switch Front intake louver
ACT	Free standing with electronic controller
APC	Free standing, electronic controller and Cold Plasma purifier
U	Universal with adjustable grille, without installed controller
UF	Universal with adjustable grille, without installed controller front intake louver
UA	Universal with fixed grille without installed controller

SIZE AVAILABLE BY VERSION

Versions	Size available with main coil only (2 pipes)																			
FCZ	100	150	200	250	300	350	400	450	500	550	600	650	700	750	800	850	900	950	1000	
A
AS
AF	/	/	/	/	/	/	.	.	.	
ACT
APC
U	/	/	/	/	/	/
UF	/	/	/	/	/	/
UA
D	/	/	.	/	.	/	.	/	.	/	/	/	/	/	/	/	/	/	/	/
DS	/	/	.	/	.	/	.	/	.	/	/	/	/	/	/	/	/	/	/	/

Versions	Size available with main and supplementary coil (4 pipes)																		
FCZ	101	102	201	202	301	302	401	402	501	502	601	602	701	702	801	802	901	1001	
A
AS
ACT	/	/	/	/	/	/	/	/	/	/	/	/	/	/	/	/	/	/	/
APC	/	/	/	/	/	/	/	/	/	/	/	/	/	/	/	/	/	/	/
U
UA
D	/	/	/	/	/	/	/	/	/	/	/	/	/	/	/	/	/	/	/
DS	/	/	/	/	/	/	/	/	/	/	/	/	/	/	/	/	/	/	/

ACCESSORIES

Control panel

T-TOUCH: Touch controller mounted on-board. allows remote control with (Android) smart devices using the ThermApp application.

A range of dedicated controllers, wall-mounted or on the machine, is available but it is essential to choose between these panels for simple and complete tuning, for more details please refer to the dedicated sheet.

Probes and accessories for control panels

SW3: water temperature probe allowing automatic season change on electronic controllers supplied with water-side change over

SIT 3 - 5: Thermostat Interface Card allowing the creation of a network of fan coils (max. 10) commanded by a central control panel (selector or thermostat).

SIT3: commands the 3 fan speeds and must be installed on each fan coil within the network; receives the commands from the selector or the SIT5 card.

SIT5: commands the 3 fan speeds and up to 2 valves (four pipe systems); sends the thermostat's commands to the fan coil network.

VMF system

VMF-E0X: thermostat accessory to be mounted on the side of the fan-coil, equipped with air and water sensors as standard; controls 2 pipe, 4 pipe, 2 pipe + Cold Plasma, 2 pipe + UV lamps, 2 pipe + electrical heater systems. Equipped with external contact to be used as low voltage remote ON-OFF. This thermostat can create a single fancoil zone through 2-wire serial communication (1 master + maximum 5 slaves). The thermostat is fuse protected.

VMF-E19: Thermostat to be secured to the side of the fan coil, fitted as standard with an air probe and a water probe.

VMF-IO: Expansion board that expands the availability of Digital Inputs and Outputs

VMF-LON: Expansion that allows interfacing with a thermostat with BMS systems using the LON protocol.

VMF-E2Z: User interface for mounting on the unit with two selectors: one to control the temperature and one for the speed.

VMF-E4X: Wall mounted user interface allowing control via a capacitive touch keyboard.

VMF-SW: Water sensor replacing that supplied with VMF-E19 thermostats for installation upstream of the valve.

VMF-SW1: Additional water sensor for 4-pipe systems with E1 thermostats offering maximum control in the cooling range.

Hot water coil

BV: Single row hot water heat exchanger. Not available for versions with Cold Plasma.

Electrical heater

RX: Armoured electrical coil with safety thermostat (requires a thermostat with heater management). Not available for 4-row or Cold Plasma versions

Valve kit

VCZ_X4: Valve kits for single coil units, installed in 4 pipe systems with totally separated "Cooling" and "Heating" circuits. The kit consists of 2 valves with 3-way 4 port connection complete with electro-thermal actuators, insulating shells for the valves and associated hydraulic piping. Version_X4L valve kit allows left side connection. Version_X4R valve kit allows right side connection. Power supply 230V ~ 50Hz

VCZ or VCF: kit containing a motorised 3-way valve with insulating shell plus coupling and pipes in insulated copper. Applicable for standard or oversized main coil. Available with 230V and 24V~50Hz power supply.

VCZD or VCFD: Kit consisting of powered 2-way valve, copper couplings and pipes applicable for standard or oversized main coil. Available with 230V and 24V~50Hz power supply.

VJP/VJP_M: Control and balancing combination valve for 2 and 4 pipe systems to install outside the unit, supplied without fittings and hydraulic components. The valve, which can guarantee a constant water flow rate in the terminal, within its operating range, is available with 230V and 24V~50Hz power supply.

The VJP is controlled by on-off logic with compatible control panels (accessories)

The VJP_M is controlled by modulating logic with panels not supplied by Aermec

The design water flow rate is crucial to refine the selection of the valve shown in the compatibility table.

Installation accessoires

AMP - AMPZ: Wall mounting kit.

BCZ: Drip tray

PCZ: Sheet metal panel to close rear of unit

GA: Grille to hide hydraulics and electrics on ceiling mounted units; also applicable for floor installation.

ZXZ: Mounting feet (set of 2).

■ Refer to dedicated product Leaflet for further details concerning control panel and VMF System.

COMPATIBILITY OF ACCESSORIES

FCZ	Probes and accessories for control panels	Single coil model																		
		100	150	200	250	300	350	400	450	500	550	600	650	700	750	800	850	900	950	1000
AERS03	AS-AF-U-UA-UF-DS
SW5	AS-AF-U-UA-UF-DS
SAS	AS-AF-U-UA-UF-DS
TXB	AS-AF-U-UA-UF-DS
T-TOUCH	AS-AF-U-UA-UF-DS
KTLM	AS-AF-U-UA-UF
PTINZ	AS-AF-U-UA-DS
PX	AS-AF-U-UA-UF	(1)
PX2Z	AS-AF-U-UA-UF
PXAE-PXAR	AS-AF-U-UA-UF	(1)
TPF	AS-AF-U-UA-UF
WMT05-06-10	AS-AF-U-UA-UF
TPFW	AS-AF-U-UA-UF
SWA	AS-AF-U-UA-UF	In combination with TPFW																		
SW3	AS-AF-U-UA-UF	In combination with PXAE or PXAR																		
SIT3	AS-AF-U-UA-UF	In combination with TPFW or PXAE or PXAR or PX2 or PX or PX2C6 WMT05-06-10																		
SIT5	AS-AF-U-UA-UF	In combination with TPFW or PXAE or PXAR																		

FCZ		Single coil model																			
		100	150	200	250	300	350	400	450	500	550	600	650	700	750	800	850	900	950	1000	
VMF System																					
VMF-E0X	AS-AF-U-UA-UF-DS*	*	*	*	*	*	*	*	*	*	*	*	*	*	*	*	*	*	*	*	
VMF-E19	AS-AF-U-UA-UF-DS*	*	*	*	*	*	*	*	*	*	*	*	*	*	*	*	*	*	*	*	
VMF-I0	AS-AF-U-UA-UF-DS*	*	*	*	*	*	*	*	*	*	*	*	*	*	*	*	*	*	*	*	
VMF-LON	AS-AF-U-UA-UF-DS*	*	*	*	*	*	*	*	*	*	*	*	*	*	*	*	*	*	*	*	
VMF-E2Z	AS-AF-U-UA-UF	*	*	*	*	*	*	*	*	*	*	*	*	*	*	*	*	*	*	*	
VMF-E4X	AS-AF-U-UA-UF	*	*	*	*	*	*	*	*	*	*	*	*	*	*	*	*	*	*	*	
VMF-SW	AS-AF-U-UA-UF	*	*	*	*	*	*	*	*	*	*	*	*	*	*	*	*	*	*	*	
VMF-SW1	AS-AF-U-UA-UF	*	*	*	*	*	*	*	*	*	*	*	*	*	*	*	*	*	*	*	
Additional coil (heating only)																					
BV117	A-AS-AF-U-UA-UF	*																			
BV122	A-AS-AF-U-UA-UF		*																		
BV132	A-AS-AF-U-UA-UF			*																	
BV142	A-AS-AF-U-UA-UF				*					*											
BV2800	A-AS-AF-U-UA-UF										*		*		*						
BV162	A-AS-AF-U-UA-UF																	*		*	
Electrical Heat Exchanger																					
RX17	AS-AF-U-UA-UF	*																			
RX22	AS-AF-U-UA-UF		*																		
RX32	AS-AF-U-UA-UF			*																	
RX42	AS-AF-U-UA-UF				*				*												
RX52	AS-AF-U-UA-UF					*				*											
RX2800	AS-AF-U-UA-UF										*		*		*						
RX62	AS-AF-U-UA-UF																	*		*	
Water valves**																					
Valve Kit for 4 pipe systems with main coil																					
VC21X4L-R	AS-AF-U-UA-UF (DS+sist. VMF / T-TOUCH)	*	*	*	*																
VC22X4L-R	AS-AF-U-UA-UF (DS+sist. VMF / T-TOUCH)				*		*	*	*	*	*	*	*	*	*	*	*	*	*	*	
VC23X4L-R	AS-AF-U-UA-UF (DS+sist. VMF / T-TOUCH)																	*	*	*	
3 way valve kit																					
VC241/4124	AS-AF-ACT-APC-U-UA-UF-D-DS (2)	*	*	*	*																
VC242/4224	AS-AF-ACT-APC-U-UA-UF-D-DS (2)				*	*	*	*	*	*	*	*	*	*	*	*	*	*	*	*	
VC243/4324	AS-AF-ACT-APC-U-UA-UF-D-DS (2)																	*	*	*	
2 way valve kit																					
VC2D1/124	AS-AF-ACT-APC-U-UA-UF-D-DS (2)	*	*	*	*																
VC2D2/224	AS-AF-ACT-APC-U-UA-UF-D-DS (2)				*	*	*	*	*	*	*	*	*	*	*	*	*	*	*	*	
VC2D3/324	AS-AF-ACT-APC-U-UA-UF-D-DS (2)																	*	*	*	
Combined adjustment and balancing valve independent of pressure																					
VJP060	AS-AF-ACT-APC-U-UA-UF-D-DS	*	*	*	*	*	*														
VJP090	AS-AF-ACT-APC-U-UA-UF-D-DS							*	*	*	*	*	*	*	*	*	*	*	*	*	
VJP150	AS-AF-ACT-APC-U-UA-UF-D-DS											*	*	*	*	*	*	*	*	*	
VJP060M	AS-AF-ACT-APC-U-UA-UF-D-DS (2)	*	*	*	*	*	*														
VJP090M	AS-AF-ACT-APC-U-UA-UF-D-DS (2)							*	*	*	*	*	*	*	*	*	*	*	*	*	
VJP150M	AS-AF-ACT-APC-U-UA-UF-D-DS (2)											*	*	*	*	*	*	*	*	*	
Installation accessories																					
AMP20	U-UA-UF	*	*	*	*	*	*	*	*	*	*	*	*	*	*	*	*	*	*	*	
AMPZ	U-UA-UF	*	*	*	*	*	*	*	*	*	*	*	*	*	*	*	*	*	*	*	
BCZ4	(Inst. vertical)	*	*	*	*	*	*	*	*	*	*	*	*	*	*	*	*	*	*	*	
BCZ5	(Inst. horizontal)	*	*	*	*	*	*	*	*	*	*	*	*	*	*	*	*	*	*	*	
BCZ6	(Inst. horizontal)																	*	*	*	
Panel to close rear of unit																					
PCZ100	All	*	*																		
PCZ200	All			*	*																
PCZ300	All				*	*															
PCZ500	All						*	*	*	*	*	*	*	*	*	*	*	*	*	*	
PCZ800	All										*	*	*	*	*	*	*	*	*	*	
PCZ1000	All																	*	*	*	
Grille for ceiling mounted units																					
GA100	U-UA-UF	*	*																		
GA200	U-UA-UF			*	*																
GA300	U-UA-UF				*	*															
GA500	U-UA-UF					*	*	*	*	*	*	*	*	*	*	*	*	*	*	*	
GA800	U-UA-UF										*	*	*	*	*	*	*	*	*	*	
Mounting feet																					
ZXZ	All	*	*	*	*	*	*	*	*	*	*	*	*	*	*	*	*	*	*	*	

For further details concerning control panels and VMF system refer to the dedicated sheets.

* Contact Aermec

** The water valves can be combined with the unit if it is also provided a control panel that controls

PTINZ e PX2Z Installation on the machine

(1) Only for wall installation; PX2C6 panel PX2 in multiples of 6

(2) VC24124-VC24224-VC24324-VC2D124-VC2D224-VC2D324-VJP60M-VJP090M-VJP150M are 24V

		Twin coil models																		
FCZ		101	102	201	202	301	302	401	402	501	502	601	602	701	702	801	802	901	1001	
Probes and accessories for control panels																				
AER503	AS-U-UA	*	*	*	*	*	*	*	*	*	*	*	*	*	*	*	*	*	*	*
SW5	AS-U-UA	*	*	*	*	*	*	*	*	*	*	*	*	*	*	*	*	*	*	*
SA5	AS-U-UA	*	*	*	*	*	*	*	*	*	*	*	*	*	*	*	*	*	*	*
TXB	AS-U-UA	*	*	*	*	*	*	*	*	*	*	*	*	*	*	*	*	*	*	*
T-TOUCH	AS-U-UA	*	*	*	*	*	*	*	*	*	*	*	*	*	*	*	*	*	*	*
PTI4Z	AS-U-UA	*	*	*	*	*	*	*	*	*	*	*	*	*	*	*	*	*	*	*
KTLM	AS-U-UA	*	*	*	*	*	*	*	*	*	*	*	*	*	*	*	*	*	*	*
TPF	AS-U-UA	*	*	*	*	*	*	*	*	*	*	*	*	*	*	*	*	*	*	*
WMT06-10	AS-U-UA	*	*	*	*	*	*	*	*	*	*	*	*	*	*	*	*	*	*	*
TPFW	AS-U-UA	*	*	*	*	*	*	*	*	*	*	*	*	*	*	*	*	*	*	*
PXAE	AS-U-UA	(1)	*	*	*	*	*	*	*	*	*	*	*	*	*	*	*	*	*	*
SWA	AS-U-UA																			In combination with TPFW
SIT3	AS-U-UA																			In combination with TPFW
SIT5	AS-U-UA																			In combination with TPFW
VMF System																				
VMF-E0X	AS-U-UA	*	*	*	*	*	*	*	*	*	*	*	*	*	*	*	*	*	*	*
VMF-E19	AS-U-UA	*	*	*	*	*	*	*	*	*	*	*	*	*	*	*	*	*	*	*
VMF-I0	AS-U-UA	*	*	*	*	*	*	*	*	*	*	*	*	*	*	*	*	*	*	*
VMF-L0N	AS-U-UA	*	*	*	*	*	*	*	*	*	*	*	*	*	*	*	*	*	*	*
VMF-E2Z	AS-U-UA	*	*	*	*	*	*	*	*	*	*	*	*	*	*	*	*	*	*	*
VMF-E4X	AS-U-UA	*	*	*	*	*	*	*	*	*	*	*	*	*	*	*	*	*	*	*
VMF-SW	AS-U-UA	*	*	*	*	*	*	*	*	*	*	*	*	*	*	*	*	*	*	*
VMF-SW1	AS-U-UA	*	*	*	*	*	*	*	*	*	*	*	*	*	*	*	*	*	*	*
Water valves **																				
3 way valve kit																				
VCZ41/4124	AS-U-UA	(2)	*	*	*	*														
VCZ42/4224	AS-U-UA	(2)				*	*	*	*	*	*	*	*	*	*	*	*	*	*	*
VCZ43/4324	AS-U-UA	(2)																	*	*
2 way valve kit																				
VCZD1/124	AS-U-UA	(2)	*	*	*	*														
VCZD2/224	AS-U-UA	(2)				*	*	*	*	*	*	*	*	*	*	*	*	*	*	*
VCZD3/324	AS-U-UA	(2)																	*	*
2 way valve kit for heating coil only																				
VCFD4/424	AS-U-UA		*	*	*	*	*	*	*	*	*	*	*	*	*	*	*	*	*	*
Combined adjustment and balancing valve independent of pressure																				
VJP060	AS-U-UA	*	*	*	*	*	*													
VJP090	AS-U-UA							*	*	*	*	*	*	*	*	*	*	*	*	*
VJP150	AS-U-UA											*	*	*	*	*	*	*	*	*
VJP060M	AS-U-UA	(2)	*	*	*	*	*													
VJP090M	AS-U-UA	(2)				*	*	*	*	*	*	*	*	*	*	*	*	*	*	*
VJP150M	AS-U-UA	(2)										*	*	*	*	*	*	*	*	*
Installation accessories																				
AMP20	U-UA	*	*	*	*	*	*	*	*	*	*	*	*	*	*	*	*	*	*	*
AMPZ	U-UA	*	*	*	*	*	*	*	*	*	*	*	*	*	*	*	*	*	*	*
BCZ4	(Inst. vertical)	*	*	*	*	*	*	*	*	*	*	*	*	*	*	*	*	*	*	*
BCZ5	(Inst. horizontal)	*	*	*	*	*	*	*	*	*	*	*	*	*	*	*	*	*	*	*
BCZ6	(Inst. horizontal)																		*	*
Panel to close rear of unit																				
PCZ100	All	*	*																	
PCZ200	All			*	*															
PCZ300	All					*	*													
PCZ500	All							*	*	*	*									
PCZ800	All											*	*	*	*	*	*	*	*	*
PCZ1000	All																		*	*
Grille for ceiling mounted units																				
GA100	U-UA	*	*																	
GA200	U-UA			*	*															
GA300	U-UA					*	*													
GA500	U-UA							*	*	*	*									
GA800	U-UA											*	*	*	*	*	*	*	*	*
Mounting feet																				
ZXZ	All	*	*	*	*	*	*	*	*	*	*	*	*	*	*	*	*	*	*	*

For further details concerning control panels and VMF system refer to the dedicated sheets.

* Contact Aermec

VJP / VJP_M The compatibility of the valves in the hot branch plant 4 tubes, check with the design water flow

**The water valves can be combined with the unit if it is also provided a control panel that controls

(1) Only for wall installation

(2) VCZ4124-VCZ4224-VCZ4324-VCZD124-VCZD224-VCZD324-VJP60M-VJP090M-VJP150M are 24V

TECHNICAL DATA - UNIT WITH SINGLE COIL

Size	100			150			200			250			300			350			400			450			500			550						
Fan speed	H	M	L	H	M	L	H	M	L	H	M	L	H	M	L	H	M	L	H	M	L	H	M	L	H	M	L	H	M	L	H	M	L	
Heating Performance																																		
2 pipe systems																																		
Heating capacity (70°C) (1) kW	2,40	2,00	1,45	2,65	2,19	1,55	3,70	2,95	2,02	4,05	3,18	2,20	5,50	4,46	3,47	6,15	4,92	3,77	7,15	5,74	4,32	7,82	6,29	4,57	8,50	7,31	5,27	9,75	8,34	5,82				
Water flow rate (1) l/h	206	172	125	232	192	136	324	258	177	355	278	193	482	391	304	539	431	330	627	503	379	685	551	400	745	641	462	855	731	510				
Pressure drop (1) kPa	9,0	7,0	4,0	12,0	9,0	5,0	18,0	12,0	6,0	23,0	15,0	7,0	18,0	12,0	7,0	20,0	14,0	8,0	24,0	16,0	9,0	16,0	11,0	6,0	28,0	21,0	12,0	26,0	20,0	10,0				
Heating capacity (45°C) (2) kW	1,19	0,99	0,72	1,31	1,09	0,77	1,84	1,46	1,00	2,01	1,58	1,09	2,73	2,21	1,72	3,06	2,44	1,87	3,55	2,85	2,14	3,88	3,12	2,27	4,22	3,63	2,62	4,85	4,14	2,89				
Water flow rate (2) l/h	207	173	126	229	189	134	319	254	174	350	274	190	475	385	299	531	425	325	617	495	373	675	543	394	734	631	455	842	720	502				
Pressure drop (2) kPa	9,5	7,0	4,0	12,5	9,0	5,0	17,5	12,0	6,0	22,0	15,0	8,0	17,5	12,0	8,0	20,5	14,0	8,5	23,5	16,0	9,5	16,0	11,0	6,0	28,0	21,0	12,0	25,5	19,5	10,0				
Cooling Performance																																		
Total cooling capacity (3) kW	1,00	0,84	0,65	1,27	1,06	0,80	1,60	1,28	0,89	1,94	1,55	1,06	2,65	2,17	1,68	3,02	2,46	1,89	3,60	2,92	2,20	4,03	3,21	2,41	4,25	3,69	2,68	4,79	4,13	2,91				
Sensible cooling capacity (3) kW	0,83	0,69	0,51	0,97	0,80	0,57	1,33	1,05	0,71	1,52	1,20	0,79	2,04	1,65	1,26	2,18	1,76	1,33	2,67	2,14	1,59	2,90	2,30	1,69	3,18	2,73	1,94	3,49	2,98	2,07				
Cooling capacity (latent) (3) kW	0,17	0,15	0,14	0,30	0,26	0,23	0,27	0,23	0,18	0,42	0,35	0,27	0,61	0,52	0,42	0,84	0,70	0,56	0,93	0,78	0,61	1,13	0,91	0,72	1,07	0,96	0,74	1,30	1,15	0,84				
Water flow rate (3) l/h	172	144	112	219	182	138	275	221	153	334	267	182	456	374	288	560	460	350	619	503	379	694	552	414	731	634	460	824	711	501				
Pressure drop (3) kPa	8,0	6,0	4,0	13,0	12,0	6,0	18,0	12,5	6,5	25,0	17,0	8,5	18,0	13,0	8,0	25,0	17,5	11,0	24,0	16,5	10,0	22,0	15,0	9,0	29,0	22,5	13,0	28,0	21,5	11,5				
Fans																																		
Centrifugal Fans	n°	1			1			1			2			2			2			2			2			2			2					
Air flow rate	m³/h	200	160	110	200	160	110	290	220	140	290	220	140	450	350	260	450	350	260	600	460	330	600	460	330	720	600	400	720	600	400			
Sound level																																		
Sound power level (4) dB(A)	45	38	31	45	38	31	51	46	35	51	46	35	48	41	34	48	41	34	51	44	37	51	44	37	56	51	42	56	51	42				
Sound pressure level	dB(A)	37	30	23	37	30	23	43	38	27	43	38	27	40	33	26	40	33	26	43	36	29	43	36	29	48	43	34	48	43	34			
Hydraulic connections																																		
Main coil																																		
Standard	Ø	1/2"			/			1/2"			/			3/4"			/			3/4"			/			3/4"			/					
Oversized	Ø	/			1/2"			/			1/2"			/			3/4"			/			3/4"			/			3/4"			/		
Electrical data																																		
Absorbed power	W	35	29	19	35	29	19	33	29	25	33	29	25	44	33	25	44	33	25	57	43	30	57	43	30	76	52	38	76	52	38			
Connected for speeds		V3	V2	V1	V3	V2	V1	V3	V2	V1	V3	V2	V1	V3	V2	V1	V3	V2	V1	V3	V2	V1	V3	V2	V1	V3	V2	V1	V3	V2	V1	V3	V2	V1
Power supply		230V~50Hz																																

Size	600			650			700			750			800			850			900			950			1000									
Fan speed	H	M	L	H	M	L	H	M	L	H	M	L	H	M	L	H	M	L	H	M	L	H	M	L	H	M	L	H	M	L				
Heating Performance																																		
2 pipe systems																																		
Heating capacity (70°C) (1) kW	10,00	8,10	6,50	11,50	9,15	7,19	11,00	9,80	8,10	12,50	11,30	9,10	12,00	10,80	9,80	14,00	12,35	11,30	15,14	13,35	10,77	17,10	14,42	11,20	17,02	15,24	12,56							
Water flow rate (1) l/h	877	710	570	1008	802	631	964	860	710	1096	991	798	1052	947	859	1227	1083	991	1328	1171	945	1500	1264	982	1493	1337	1101							
Pressure drop (1) kPa	26,0	17,8	12,0	31,0	21,0	13,5	29,1	23,6	16,8	18,0	15,0	10,0	32,2	26,6	22,4	25,0	20,0	17,0	22,0	17,4	12,0	33,0	24,5	15,5	38,5	31,5	22,0							
Heating capacity (45°C) (2) kW	4,97	4,03	3,32	5,72	4,55	3,57	5,47	4,87	4,03	6,21	5,62	4,52	5,97	5,37	4,87	6,96	6,14	5,62	7,53	6,64	5,35	8,50	7,17	5,57	8,46	7,58	6,24							
Water flow rate (2) l/h	863	699	561	993	790	621	950	846	699	1079	975	786	1036	932	846	1209	1066	975	1307	1152	930	1476	1245	967	1469	1316	1084							
Pressure drop (2) kPa	25,5	17,5	12,0	31,0	20,5	13,5	29,0	23,5	16,5	17,5	14,5	10,0	32,0	26,0	22,0	25,0	19,5	17,0	21,5	17,0	12,0	33,0	24,0	15,0	37,5	31,0	22,0							
Prestazioni in raffreddamento																																		
Total cooling capacity (3) kW	4,65	3,90	3,22	5,67	4,80	3,95	5,50	4,89	3,92	6,14	5,34	4,27	6,10	5,66	4,84	6,91	6,29	5,26	6,91	5,00	4,29	8,60	7,32	5,77	7,62	6,88	5,69							
Sensible cooling capacity (3) kW	3,92	3,17	2,56	4,12	3,43	2,78	4,30	3,76	2,99	4,72	4,05	3,20	4,83	4,42	3,72	5,36	4,83	4,00	5,68	3,78	2,97	5,78	4,87	3,80	5,53	5,34	4,42							
Cooling capacity (latent) (3) kW	0,73	0,73	0,66	1,55	1,37	1,17	1,20	1,13	0,93	1,42	1,29	1,07	1,27	1,24	1,12	1,55	1,46	1,26	1,23	1,22	1,32	2,82	2,45	1,97	2,09	1,54	1,27							
Water flow rate (3) l/h	800	671	554	975	825	595	946	841	675	1056	918	734	1049	974	833	1189	1082	904	1189	860	738	1479	1259	992	1311	1183	979							
Pressure drop (3) kPa	26,0	19,0	13,5	28,0	21,0	15,0	30,0	24,5	16,5	18,5	14,5	10,0	30,0	26,5	20,0	23,0	19,5	14,0	22,0	12,5	9,5	30,0	22,5	15,0	35,5	31,0	22,0							
Fans																																		
Centrifugal Fans	n°	3			3			3			3			3			3			3			3			3								
Air flow rate	m³/h	920	720	520	920	720	520	1140	930	700	1140	930	700	1300	1120	900	1300	1120	900	1140	930	700	1140	930	700	1300	1120	900						
Sound level																																		
Sound power level (4) dB(A)	57	51	42	57	51	42	62	57	50	62	57	50	66	61	56	66	61	56	62	57	51	61	57	51	66	61	56							
Sound pressure level	dB(A)	49	43	34	49	43	34	54	49	42	54	49	42	58	53	48	58	53	48	54	49	43	53	49	43	58	53	48						
Hydraulic connections																																		
Main coil																																		
Standard	Ø	3/4"			/			3/4"			/			3/4"			/			3/4"			/			3/4"			/					
Oversized	Ø	/			3/4"			/			3/4"			/			3/4"			/			3/4"			/			3/4"			/		
Electrical data																																		
Absorbed power	W	91	60	38	91	60	38	106	80	59	106	80	59	131	100	80	131	100	80	106	80	59	106	80	59	131	100	80						
Connected for speeds		V3	V2	V1	V3	V2	V1	V3	V2	V1	V3	V2	V1	V3	V2	V1	V3	V2	V1	V3	V2	V1	V3	V2	V1	V3	V2	V1	V3	V2	V1			
Power supply		230V~50Hz																																

Data in accordance with Regulation EU 2016/2281

H Maximum speed; M Average Speed; L Minimum speed

(1) Room air temperature 20°C d.b.; Water (in/out) 70°C/60°C;

(2) Room air temperature 20°C d.b.; Water (in/out) 45°C/40°C (EUROVENT)

(3) Room air temperature 27°C d.b./19°C w.b.; Water (in/out) 7°C/12°C (EUROVENT)

(4) Sound power: Aermec determines sound power values on the basis of measurements made in accordance with UNI EN 16583-15, as required for Eurovent certification.

Sound pressure level (A-weighted) measured indoors with volume V=85m³, reverberation time t = 0.5 s; Direction factor Q = 2; Distance r = 2.5m

TECHNICAL DATA - UNIT WITH MAIN + SUPPLEMENTARY COIL

Size	101			201			301			401			501			601			701			801			901			1001						
Fan speed	H	M	L	H	M	L	H	M	L	H	M	L	H	M	L	H	M	L	H	M	L	H	M	L	H	M	L	H	M	L	H	M	L	
Heating Performance																																		
4 pipe systems																																		
Heating capacity (65°C)	(1)	kW			1,17	1,01	0,75	1,60	1,35	1,02	2,56	2,18	1,80	3,12	2,65	2,21	3,73	3,34	2,59	4,36	3,67	2,96	4,94	4,29	3,66	5,35	4,79	4,20	5,72	5,63	4,73	6,08	5,56	4,85
Water flow rate	(1)	l/h			102	89	65	140	118	89	224	191	158	273	232	186	327	293	227	381	321	259	437	375	320	467	419	368	501	492	414	532	487	424
Pressure drop	(1)	kPa			4,5	3,5	2,0	10,5	7,5	4,5	30,5	23,0	16,5	8,5	6,5	4,5	10,5	8,5	5,5	16,1	12,0	8,0	18,5	14,5	11,0	24,0	20,0	15,5	12,0	12,0	8,5	16,0	13,5	10,5
Cooling Performance																																		
Total cooling capacity	(2)	kW			1,00	0,84	0,65	1,60	1,28	0,89	2,65	2,17	1,68	3,60	2,92	2,20	4,25	3,69	2,68	4,65	3,90	3,22	5,50	4,89	3,92	6,10	5,66	4,84	6,91	5,00	4,29	7,62	6,88	5,69
Sensible cooling capacity	(2)	kW			0,83	0,69	0,51	1,33	1,05	0,71	2,04	1,65	1,26	2,67	2,14	1,59	3,18	2,73	1,94	3,92	3,17	2,56	4,30	3,76	2,99	4,83	4,42	3,72	5,68	3,78	2,97	5,53	5,34	4,42
Cooling capacity (latent)	(2)	kW			0,17	0,15	0,14	0,27	0,23	0,18	0,61	0,52	0,42	0,93	0,78	0,61	1,07	0,96	0,74	0,73	0,73	0,66	1,20	1,13	0,93	1,27	1,24	1,12	1,23	1,22	1,32	2,09	1,54	1,27
Water flow rate	(2)	l/h			172	144	112	275	221	153	456	374	289	619	503	379	731	635	461	800	671	554	946	841	675	1049	974	832	1188	860	738	1311	1183	979
Pressure drop	(2)	kPa			7,0	5,0	4,0	18,0	12,5	6,5	18,0	13,0	8,0	34,0	23,5	14,0	29,0	22,5	13,0	26,0	19,0	14,5	30,0	24,5	16,5	30,0	26,5	20,0	9,5	14,5	9,5	37,3	31,0	22,0
Fans																																		
Centrifugal fans	n°	1			1			2			2			2			3			3			3			3			3					
Air flow rate	m³/h	200	160	110	290	220	140	450	350	260	600	460	330	720	600	400	920	720	520	1140	930	700	1300	1120	900	1140	930	700	1300	1120	900			
Sound level																																		
Sound power level	(3)	dB(A)			45	38	31	51	46	35	48	41	34	51	44	37	56	51	42	57	51	42	62	57	50	66	61	56	62	57	51	66	61	56
Sound pressure level		dB(A)			37	30	23	43	38	27	40	33	26	43	36	29	48	43	34	49	43	34	54	49	42	58	53	48	54	49	43	58	53	48
Hydraulic connections																																		
Main coil	∅	1/2"			1/2"			3/4"			3/4"			3/4"			3/4"			3/4"			3/4"			3/4"			3/4"					
Additional coil	∅	1/2"			1/2"			3/4"			3/4"			1/2"			1/2"			1/2"			1/2"			1/2"			1/2"					
Electrical data																																		
Absorbed power	W	35	29	19	33	29	25	44	33	25	57	43	30	76	52	38	91	60	38	106	80	59	131	100	80	80	80	59	131	100	80			
Connected for speeds		V3	V2	V1	V3	V2	V1	V3	V2	V1	V3	V2	V1	V3	V2	V1	V3	V2	V1	V3	V2	V1	V3	V2	V1	V3	V2	V1	V3	V2	V1	V3	V2	V1
Power supply		230V~50Hz																																

Data in accordance with Regulation EU 2016/2281

H Maximum speed; M Average Speed; L Minimum speed

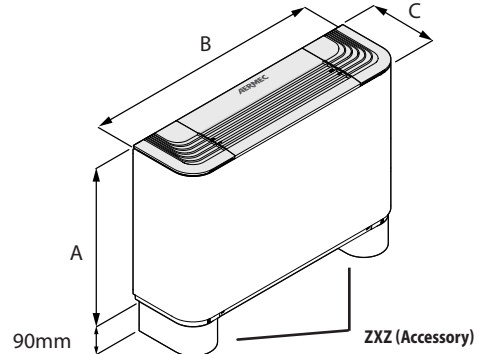
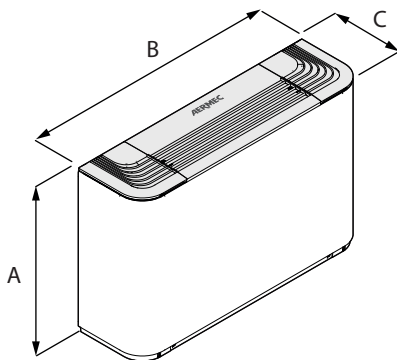
(1) Room air temperature 20°C d.b.; Water (in/out) 65°C/55°C;

(2) Room air temperature 27°C d.b./19°C w.b.; Water (in/out) 7°C/12°C (EUROVENT)

(3) Sound power: Aermec determines sound power values on the basis of measurements made in accordance with UNI EN 16583:15, as required for Eurovent certification

Sound pressure level (A-weighted) measured indoors with volume V=85m³, reverberation time t = 0.5 s; Direction factor Q = 2; Distance r = 2.5m

DIMENSIONS



FCZ	100	101	102	150	200	201	202	250	300	301	302	350	400	401	402	450	500	501	502	550			
Dimensions for all versions																							
A	mm			486	486			486	486			486	486			486							
A (with feet)	mm			576	576			576	576			576	576			576							
B	mm			640	750			980	1200			1200	1200			1200							
C	mm			220	220			220	220			220	220			220							
Weight without feet	kg			13	14	14	14	15	15	16	16	17	18	19	19	23	23	24	24	22	23	24	24
FCZ																							
Dimensions for all versions																							
A	mm			486	486			486	591			591	591			591							
A (with feet)	mm			576	576			576	681			681	681			681							
B	mm			1320	1320			1320	1320			1320	1320			1320							
C	mm			220	220			220	220			220	220			220							
Weight without feet	kg			29	31	33	33	29	31	33	33	29	29	31	33	34	34			34			

Aermec reserves the right to make any modifications deemed necessary. All data is subject to change without notice. Aermec does not assume responsibility or liability for errors or omissions.

Aermec S.p.A.

Via Roma, 996 - 37040 Bevilacqua (VR) - Italia
Tel. 0442633111 - Telefax 044293577
www.aermec.com