

FCZ



Fan coils concealed for Vertical or Horizontal installation

КЛИЕНТСКИ ЦЕНИ В ЛВ. БЕЗ ДДС

UNIT with main coil only (2 pipes)

FCZ	100	150	200	250	300	350	400	450	500	550	600	650	700	750	800	850	900	950	1000
A	423 лв.	463 лв.	471 лв.	515 лв.	552 лв.	608 лв.	638 лв.	643 лв.	677 лв.	690 лв.	743 лв.	795 лв.	802 лв.	853 лв.	848 лв.	876 лв.	916 лв.	927 лв.	1,019 лв.
AF	420 лв.	461 лв.	469 лв.	512 лв.	569 лв.	612 лв.	569 лв.	680 лв.	648 лв.	697 лв.	-	-	-	-	-	-	933 лв.	980 лв.	1,005 лв.
AS	412 лв.	452 лв.	460 лв.	504 лв.	541 лв.	597 лв.	614 лв.	633 лв.	666 лв.	607 лв.	732 лв.	783 лв.	791 лв.	843 лв.	837 лв.	864 лв.	905 лв.	916 лв.	1,010 лв.
ACT	533 лв.	703 лв.	582 лв.	625 лв.	662 лв.	720 лв.	736 лв.	754 лв.	788 лв.	806 лв.	853 лв.	905 лв.	912 лв.	964 лв.	956 лв.	986 лв.	1,024 лв.	1,037 лв.	1,130 лв.
APC	662 лв.	537 лв.	710 лв.	754 лв.	791 лв.	851 лв.	864 лв.	883 лв.	916 лв.	934 лв.	982 лв.	1,034 лв.	1,041 лв.	1,092 лв.	1,082 лв.	1,115 лв.	1,155 лв.	1,166 лв.	1,190 лв.
U	497 лв.	515 лв.	545 лв.	588 лв.	647 лв.	705 лв.	750 лв.	780 лв.	780 лв.	802 лв.	883 лв.	934 лв.	957 лв.	1,008 лв.	1,010 лв.	1,041 лв.	1,083 лв.	1,093 лв.	1,108 лв.
UF	501 лв.	539 лв.	550 лв.	592 лв.	673 лв.	715 лв.	775 лв.	809 лв.	789 лв.	839 лв.	0 лв.	-	0 лв.	-	0 лв.	-	1,090 лв.	1,162 лв.	1,140 лв.
UA	474 лв.	507 лв.	515 лв.	552 лв.	600 лв.	656 лв.	695 лв.	746 лв.	725 лв.	776 лв.	817 лв.	868 лв.	890 лв.	828 лв.	945 лв.	974 лв.	1,016 лв.	1,026 лв.	1,040 лв.
P	368 лв.	537 лв.	409 лв.	430 лв.	456 лв.	510 лв.	519 лв.	537 лв.	570 лв.	537 лв.	629 лв.	680 лв.	688 лв.	740 лв.	736 лв.	761 лв.	802 лв.	813 лв.	1,024 лв.
PO	n.d	n.d.	430 лв.	474 лв.	500 лв.	556 лв.	563 лв.	615 лв.	582 лв.	633 лв.	677 лв.	728 лв.	736 лв.	788 лв.	n.d	n.d	810 лв.	861 лв.	n.d
PPC	497 лв.	515 лв.	537 лв.	559 лв.	585 лв.	641 лв.	647 лв.	698 лв.	666 лв.	718 лв.	758 лв.	810 лв.	817 лв.	868 лв.	862 лв.	891 лв.	931 лв.	942 лв.	1,028 лв.
D	-	-	648 лв.	-	722 лв.	-	854 лв.	-	865 лв.	-	-	-	-	-	-	-	-	-	-
DS	-	-	554 лв.	-	626 лв.	-	757 лв.	-	769 лв.	-	-	-	-	-	-	-	-	-	-
HT	-	-	974 лв.	-	1,044 лв.	-	1,144 лв.	-	1,145 лв.	-	1,442 лв.	-	-	-	-	-	1,521 лв.	-	-
H	-	-	859 лв.	-	928 лв.	-	1,037 лв.	-	1,051 лв.	-	1,321 лв.	-	-	-	-	-	1,397 лв.	-	-
HP	-	-	735 лв.	-	789 лв.	-	858 лв.	-	876 лв.	-	1,118 лв.	-	-	-	-	-	1,192 лв.	-	-
HPO	-	-	778 лв.	-	831 лв.	-	901 лв.	-	919 лв.	-	1,156 лв.	-	-	-	-	-	1,237 лв.	-	-

Versions unit

A	Vertical free-standing with fixed grille and with switch
AF	Vertical free-standing with Front intake louver and without switch
AS	Vertical free-standing with fixed grille and without on-board control
ACT	Vertical free-standing with fixed grille and with electronic controller
APC	Vertical free-standing with fixed grille , with electronic controller and with Plasmacluster filter
U	Universal installation with Adjustable grille and without on-board control
UF	Universal installation with Adjustable grille, Front intake louver and without on-board control
UA	Universal installation with Fixed grille and without on-board control
P	Concealed for Vertical or Horizontal installation without cabinet (wall/ceiling)
PO	Concealed for Vertical or Horizontal installation without cabinet with increase motor (wall/ceiling)
PPC	Concealed for Vertical or Horizontal installation without cabinet with Plasmacluster filter (wall/ceiling)
D	Dualjet vertical free-standing with installed controller on-board
DS	Dualjet vertical free-standing without installed controller
HT	Vertical installation only, for highest degree of Hygiene, with Adjustable grille and with electronic thermostat on-board
H	Universal installation, for highest degree of Hygiene, with Adjustable grille and without thermostat
HP	Concealed for Vertical or Horizontal installation, for highest degree of Hygiene, without thermostat, without cabinet
HPO	Concealed for Vertical or Horizontal installation, for highest degree of Hygiene, without thermostat, without cabinet, with increase motor 7 speed

UNIT with main and supplementary coil (4 pipes)

FCZ	101	201	301	401	501	601	701	801	901	1001
A	466 лв.	512 лв.	599 лв.	679 лв.	697 лв.	850 лв.	919 лв.	984 лв.	984 лв.	1,040 лв.
AS	456 лв.	502 лв.	589 лв.	670 лв.	687 лв.	850 лв.	909 лв.	972 лв.	998 лв.	1,028 лв.
U	536 лв.	578 лв.	775 лв.	800 лв.	827 лв.	1,002 лв.	1,076 лв.	1,151 лв.	1,177 лв.	1,211 лв.
UA	515 лв.	547 лв.	725 лв.	747 лв.	776 лв.	935 лв.	1,010 лв.	1,276 лв.	1,110 лв.	1,145 лв.
P	414 лв.	431 лв.	508 лв.	578 лв.	598 лв.	745 лв.	805 лв.	868 лв.	895 лв.	927 лв.
PO	n.d.	473 лв.	550 лв.	621 лв.	638 лв.	793 лв.	852 лв.	n.d	942 лв.	n.d

FCZ

Fan coil for universal and floor installation

Cooling capacity 0,65 ÷ 7,62 kW
Heating capacity 1,45 ÷ 17,02 kW



- **Very quiet**
- **Touch controller mounted on-board. allows remote control with smart devices**



DESCRIPTION

fan coil can be installed in any 2/4 pipe system and operates with any heat generator even at low temperatures, and thanks to varied versions and settings, it is easy to pick the ideal solution for any need.

FEATURES

Case

Protective metal cabinet with anti-corrosion polyester RAL 9003 paint, whereas the head with the air distribution grille is in RAL 7047 plastic.

Depending on the version, the distribution grille may be adjustable.

Ventilation group

Consisting of double suction centrifugal fans that are particularly silent, statically and dynamically balanced, and directly coupled with the motor shaft.

The motor is wired for single phase and has three speeds, with capacitor. The motor is fitted on sealed for life bearings and is secured on anti-vibration and self-lubricating mountings.

Extractable shrouds for easy, effective cleaning

Finned pack heat exchanger

With copper pipes and aluminium louvers, the standard or oversized heat exchanger and the possible secondary heat exchanger have female gas water connections on the left side and the manifolds have air vents.

The coil is not suitable for use in corrosive atmosphere or in environments where aluminium may be subject to corrosion.

Reversibility of the water connections during installation only for units with a standard or boosted main heat exchanger, or standard with BV accessory. Not reversible in all other configurations. In any case, units with the coil water connections on the right are available at the time of ordering.

Condensate drip

Provided standard in plastic and fixed to the interior structure; with external condensate discharge.

Air filter

Air filter class Coarse 25% for all versions easy to pull out and clean.

In the APC version, air purification is guaranteed by the Cold Plasma purifier.

The purifier is able to reduce pollutants, decomposing their molecules using electrical charges, causing the water molecules in the air to split into positive and negative ions. These ions neutralise the molecules in the gaseous pollutants, obtaining products normally present in clean air. The device is able to eliminate 90% of the bacteria. The result is clean, ionized air, free of foul odours.

VERSIONS

A High, with fixed air distribution grille and built-in command

ACT High, with air distribution grille and electronic thermostat

AF High, without built-in command but with front intake

APC High, with air distribution grille, electronic thermostat and Cold Plasma purifier

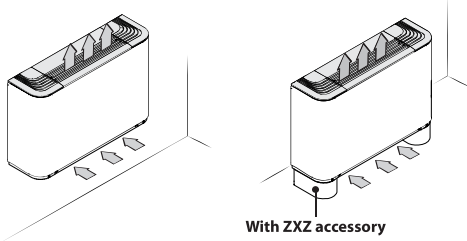
AS High, with air distribution grille without built-in command

U Universal, with adjustable air distribution grille but without built-in thermostat

UA Universal, with fixed air distribution grille but without built-in thermostat

UF Universal, with adjustable air distribution grille but without built-in thermostat and with front intake grille

Versions with fixed grille (high cabinet)



FCZ_A

- With built-in selector.

FCZ_AS

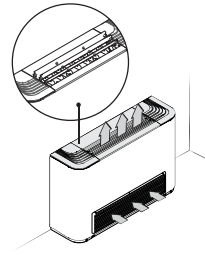
- Compatibility with VMF system.
- Without installed switch

FCZ_ACT

- With electronic thermostat for 2-pipe systems only.

FCZ_APC

- With electronic thermostat for 2-pipe systems only.
- Cold Plasma purifier

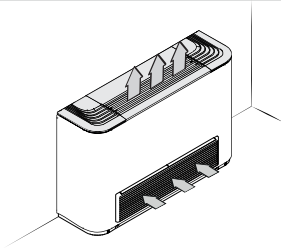


FCZ_UF

- Compatibility with VMF system.
- Without installed switch
- Air delivery grille with adjustable louvers.
- Front intake grille.

GUIDE TO SELECTING THE POSSIBLE CONFIGURATIONS

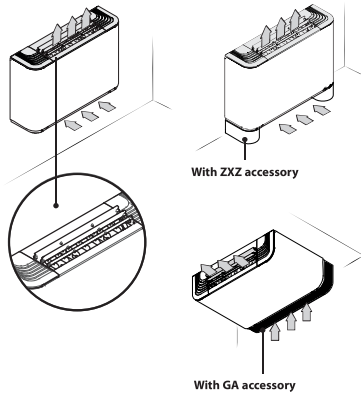
Field	Description
1,2,3	FCZ
4	Size 1, 2, 3, 4, 5, 6, 7, 8, 9, 10
5	main heat exchanger
0	Standard
5	Oversized
6	Secondary heat exchanger
0	Without exchanger
1	Standard
2	Oversized
7	Version
	Only vertical installation.
A	High, with fixed air distribution grille and built-in command
ACT	High, with air distribution grille and electronic thermostat
AF	High, without built-in command but with front intake
APC	High, with air distribution grille, electronic thermostat and Cold Plasma purifier
AS	Free standing without installed switch
	Vertical and horizontal installation.
U	Universal, with adjustable air distribution grille but without built-in thermostat
UA	Universal, with fixed air distribution grille but without built-in thermostat
UF	Universal, with adjustable air distribution grille but without built-in thermostat and with front intake grille



FCZ_AF

- Without installed switch
- Compatibility with VMF system.
- Front intake grille.

Versions with adjustable and fixed grille (universal)



FCZ_U

- Compatibility with VMF system.
- Without installed switch
- Distribution grille with adjustable louvers. Sizes 1, 2 and 3 have a single grille, whereas sizes 4, 5, 6, 7, 8, 9 and 10 have three grilles fully independent of each other. When all the fins have closed, the unit switches off.
- Vertical and horizontal installation for 2-pipe and 4-pipe systems.

FCZ_UA

- Compatibility with VMF system.
- Without installed switch
- Air distribution grille with fixed louvers.
- Vertical and horizontal installation for 2-pipe and 4-pipe systems.

PERFORMANCE SPECIFICATIONS

2-pipe

	FCZ100			FCZ150			FCZ200			FCZ250			FCZ300			FCZ350			FCZ400			FCZ450			FCZ500			FCZ550								
	1	2	3	1	2	3	1	2	3	1	2	3	1	2	3	1	2	3	1	2	3	1	2	3	1	2	3	1	2	3	1	2	3			
	L	M	H	L	M	H	L	M	H	L	M	H	L	M	H	L	M	H	L	M	H	L	M	H	L	M	H	L	M	H	L	M	H	L	M	H
Heating performance 70 °C / 60 °C (1)																																				
Heating capacity	kW			1,45	2,00	2,40	1,55	2,19	2,65	2,02	2,95	3,70	2,20	3,18	4,05	3,47	4,46	5,50	3,77	4,92	6,15	4,32	5,74	7,15	4,57	6,29	7,82	5,27	7,31	8,50	5,82	8,34	9,75			
Water flow rate system side	l/h			125	172	206	136	192	232	177	258	324	193	278	355	304	391	482	330	431	539	379	503	627	400	551	685	462	641	745	510	731	855			
Pressure drop system side	kPa			4	7	9	5	9	12	6	12	18	7	15	23	7	12	18	8	14	20	9	16	24	6	11	16	12	21	28	10	20	26			
Heating performance 45 °C / 40 °C (2)																																				
Heating capacity	kW			0,72	0,99	1,19	0,77	1,09	1,31	1,00	1,46	1,84	1,09	1,58	2,01	1,72	2,21	2,73	1,87	2,44	3,06	2,14	2,85	3,55	2,27	3,12	3,88	2,62	3,63	4,22	2,89	4,14	4,85			
Water flow rate system side	l/h			126	173	207	134	189	229	174	254	319	190	274	350	299	385	475	325	425	531	373	495	617	394	543	675	455	631	734	502	720	842			
Pressure drop system side	kPa			4	7	10	5	9	12	6	12	18	8	15	22	8	12	18	8	14	20	10	16	24	6	11	16	12	21	28	10	20	26			
Cooling performance 7 °C / 12 °C																																				
Cooling capacity	kW			0,65	0,84	1,00	0,80	1,06	1,27	0,89	1,28	1,60	1,06	1,55	1,94	1,68	2,17	2,65	1,89	2,46	3,02	2,20	2,92	3,60	2,41	3,21	4,03	2,68	3,69	4,25	2,91	4,13	4,79			
Sensible cooling capacity	kW			0,51	0,69	0,83	0,57	0,80	0,97	0,71	1,05	1,33	0,79	1,20	1,52	1,26	1,65	2,04	1,33	1,76	2,18	1,59	2,14	2,67	1,69	2,30	2,90	1,94	2,73	3,18	2,07	2,98	3,49			
Water flow rate system side	l/h			112	144	172	138	182	219	153	221	275	182	267	334	288	374	456	350	460	560	379	503	619	414	552	694	460	634	731	501	711	824			
Pressure drop system side	kPa			4	6	8	6	12	13	6	12	18	8	17	25	8	13	18	11	18	25	10	16	24	9	15	22	13	22	29	12	22	28			
Fan																																				
Type	type																																			
Fan motor	type																																			
Number	no.																																			
Air flow rate	m ³ /h																																			
Input power	W																																			
Electrical wiring	V1 V2 V3 V1 V2 V3 V1 V2 V3 V1 V2 V3 V1 V2 V3 V1 V2 V3 V1 V2 V3 V1 V2 V3 V1 V2 V3 V1 V2 V3																																			
Fan coil sound data (3)																																				
Sound power level	dB(A)																																			
Sound pressure	dB(A)																																			
Diametre hydraulic fittings																																				
Main heat exchanger	Ø																																			
Power supply																																				
230V~50Hz																																				
	FCZ600			FCZ650			FCZ700			FCZ750			FCZ800			FCZ850			FCZ900			FCZ950			FCZ1000											
	1	2	3	1	2	3	1	2	3	1	2	3	1	2	3	1	2	3	1	2	3	1	2	3	1	2	3	1	2	3						
	L	M	H	L	M	H	L	M	H	L	M	H	L	M	H	L	M	H	L	M	H	L	M	H	L	M	H	L	M	H	L	M	H			
Heating performance 70 °C / 60 °C (1)																																				
Heating capacity	kW			6,50	8,10	10,00	7,19	9,15	11,50	8,10	9,80	11,00	9,10	11,30	12,50	9,80	10,80	12,00	11,30	12,35	14,00	10,77	13,35	15,14	11,20	14,42	17,10	12,53	15,24	17,02						
Water flow rate system side	l/h			570	710	877	631	802	1008	710	860	964	798	991	1096	859	947	1052	991	1083	1227	945	1171	1328	982	1264	1500	1101	1337	1493						
Pressure drop system side	kPa			12	18	26	14	21	31	17	24	29	10	15	18	22	27	32	17	20	25	12	17	22	16	24	33	22	32	38						
Heating performance 45 °C / 40 °C (2)																																				
Heating capacity	kW			3,32	4,03	4,97	3,57	4,55	5,72	4,03	4,87	5,47	4,52	5,62	6,21	4,87	5,37	5,97	5,62	6,14	6,96	5,35	6,64	7,53	5,57	7,17	8,50	6,24	7,58	8,46						
Water flow rate system side	l/h			561	699	863	621	790	993	699	846	950	786	975	1079	846	932	1036	975	1066	1209	930	1152	1307	967	1245	1476	1084	1316	1469						
Pressure drop system side	kPa			12	18	26	14	20	31	16	24	29	10	14	18	22	26	32	6	20	25	12	17	22	15	24	33	22	31	38						
Cooling performance 7 °C / 12 °C																																				
Cooling capacity	kW			3,22	3,90	4,65	3,95	4,80	5,67	3,92	4,89	5,50	4,27	5,34	6,14	4,84	5,66	6,10	5,26	6,29	6,91	4,29	5,00	6,91	5,77	7,32	8,60	5,69	6,88	7,62						
Sensible cooling capacity	kW			2,56	3,17	3,92	2,78	3,43	4,12	2,99	3,76	4,30	3,20	4,05	4,72	3,72	4,42	4,83	4,00	4,83	5,36	2,97	3,78	5,68	3,80	4,87	5,78	4,42	5,34	5,53						
Water flow rate system side	l/h			554	671	800	595	825	975	675	841	946	734	918	1056	833	974	1049	904	1082	1189	738	860	1189	992	1259	1479	979	1183	1311						
Pressure drop system side	kPa			14	19	26	15	21	28	16	24	30	10	14	18	20	26	30	14	20	23	10	12	22	15	22	30	22	31	36						
Fan																																				
Type	type																																			
Fan motor	type																																			
Number	no.																																			
Air flow rate	m ³ /h																																			
Input power	W																																			
Electrical wiring	V1 V2 V3 V1 V2 V3 V1 V2 V3 V1 V2 V3 V1 V2 V3 V1 V2 V3 V1 V2 V3 V1 V2 V3 V1 V2 V3 V1 V2 V3																																			
Fan coil sound data (3)																																				
Sound power level	dB(A)																																			
Sound pressure	dB(A)																																			
Diametre hydraulic fittings																																				
Main heat exchanger	Ø																																			
Power supply																																				
230V~50Hz																																				

(1) Room air temperature 20 °C d.b.; Water (in/out) 70 °C/60 °C
 (2) Room air temperature 20 °C d.b.; Water (in/out) 45 °C/40 °C; EUROVENT
 (3) Aermec determines the sound power value on the basis of measurements taken in accordance with standard UNI EN 16583:15, respecting the Eurovent certification.

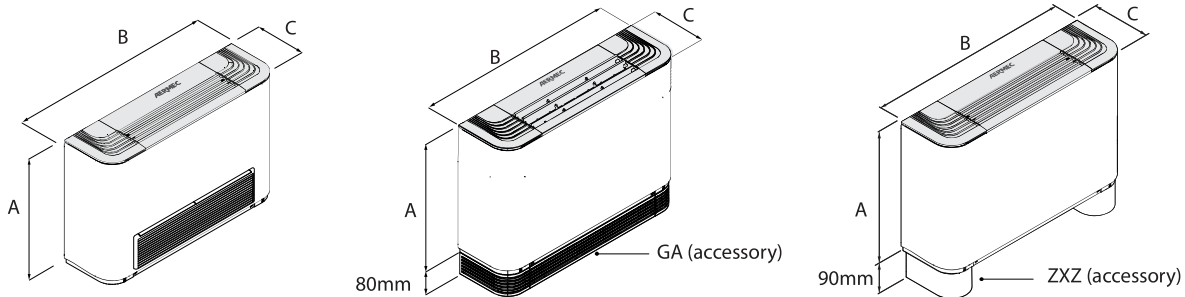
4-pipe

	FCZ101			FCZ201			FCZ301			FCZ401			FCZ501			FCZ601			FCZ701			FCZ801			FCZ901			FCZ1001								
	1	2	3	1	2	3	1	2	3	1	2	3	1	2	3	1	2	3	1	2	3	1	2	3	1	2	3	1	2	3	1	2	3			
	L	M	H	L	M	H	L	M	H	L	M	H	L	M	H	L	M	H	L	M	H	L	M	H	L	M	H	L	M	H	L	M	H	L	M	H
Heating performance 65 °C / 55 °C (1)																																				
Heating capacity	0,75	1,01	1,17	1,02	1,35	1,60	1,80	2,18	2,56	2,21	2,65	3,12	2,59	3,34	3,73	2,96	3,67	4,36	3,66	4,29	4,94	4,20	4,79	5,35	4,73	5,63	5,72	4,85	5,56	6,08						
Water flow rate system side	l/h	65	89	102	89	118	140	158	191	224	186	232	273	227	293	327	259	321	381	320	375	437	368	419	467	414	492	501	424	487	532					
Pressure drop system side	kPa	2	4	4	4	8	10	16	23	30	4	6	8	6	8	10	8	12	16	11	14	18	16	20	24	8	12	12	10	14	16					
Cooling performance 7 °C / 12 °C																																				
Cooling capacity	kW	0,65	0,84	1,00	0,89	1,28	1,60	1,68	2,17	2,65	2,20	2,92	3,60	2,68	3,69	4,25	3,22	3,90	4,65	3,92	4,89	5,50	4,84	5,66	6,10	4,29	5,00	6,91	5,69	6,88	7,62					
Sensible cooling capacity	kW	0,51	0,69	0,83	0,71	1,05	1,33	1,26	1,65	2,04	1,59	2,14	2,67	1,94	2,73	3,18	2,56	3,17	3,92	2,99	3,76	4,30	3,72	4,42	4,83	2,97	3,78	5,68	4,42	5,34	5,53					
Water flow rate system side	l/h	112	144	172	153	221	275	288	374	456	379	503	619	460	634	731	554	671	800	675	841	946	833	974	1049	738	860	1189	979	1183	1311					
Pressure drop system side	kPa	4	6	8	6	12	18	8	13	18	10	16	24	13	22	29	14	19	26	16	24	30	20	26	30	10	12	22	22	31	36					
Fan																																				
Type	Centrifugal																																			
Fan motor	Asynchronous																																			
Number	no.	1			1			2			2			2			3			3			3			3										
Air flow rate	m ³ /h	110	160	200	140	220	290	260	350	450	330	460	600	400	600	720	520	720	920	700	930	1140	900	1120	1300	700	930	1140	900	1120	1300					
Input power	W	19	29	35	25	29	33	25	33	44	30	43	57	38	52	76	38	60	91	59	80	106	80	100	131	59	80	106	80	100	131					
Electrical wiring		V1	V2	V3	V1	V2	V3	V1	V2	V3	V1	V2	V3	V1	V2	V3	V1	V2	V3	V1	V2	V3	V1	V2	V3	V1	V2	V3	V1	V2	V3	V1	V2	V3		
Fan coil sound data (2)																																				
Sound power level	dB(A)	31,0	38,0	45,0	35,0	46,0	51,0	34,0	41,0	48,0	37,0	44,0	51,0	42,0	51,0	56,0	42,0	51,0	57,0	50,0	57,0	62,0	56,0	61,0	66,0	51,0	57,0	62,0	56,0	61,0	66,0					
Sound pressure	dB(A)	23,0	30,0	37,0	27,0	38,0	43,0	26,0	33,0	40,0	29,0	36,0	43,0	34,0	43,0	48,0	34,0	43,0	49,0	42,0	49,0	54,0	48,0	53,0	58,0	43,0	49,0	54,0	48,0	53,0	58,0					
Diameter hydraulic fittings																																				
Main heat exchanger	∅	1/2"			1/2"			3/4"			3/4"			3/4"			3/4"			3/4"			3/4"			3/4"			3/4"							
Secondary heat exchanger	∅	1/2"																																		
Power supply																																				
Power supply		230V~50Hz																																		

(1) Room air temperature 20°C d.b.; Water (in/out) 65 °C/55 °C; EUROVENT

(2) Aermec determines the sound power value on the basis of measurements taken in accordance with standard UNI EN 16583:15, respecting the Eurovent certification.

DIMENSIONS



	FCZ100	FCZ101	FCZ102	FCZ150	FCZ200	FCZ201	FCZ202	FCZ250	FCZ300	FCZ301	FCZ302	FCZ350	FCZ400	FCZ401	FCZ402	FCZ450
Dimensions and weights																
A	mm	486	486	486	486	486	486	486	486	486	486	486	486	486	486	486
B	mm	640	640	640	640	750	750	750	750	980	980	980	980	1200	1200	1200
C	mm	220	220	220	220	220	220	220	220	220	220	220	220	220	220	220
Empty weight	kg	13	14	14	14	15	15	16	16	17	18	18	19	33	23	24
	FCZ500	FCZ501	FCZ502	FCZ550	FCZ600	FCZ601	FCZ602	FCZ650	FCZ700	FCZ701	FCZ702	FCZ750	FCZ800	FCZ801	FCZ802	FCZ850
Dimensions and weights																
A	mm	486	486	486	486	486	486	486	486	486	486	486	486	486	486	486
B	mm	1200	1200	1200	1200	1320	1320	1320	1320	1320	1320	1320	1320	1320	1320	1320
C	mm	220	220	220	220	220	220	220	220	220	220	220	220	220	220	220
Empty weight	kg	24	22	23	24	24	29	31	33	29	31	33	29	29	31	33
	FCZ900	FCZ901	FCZ950	FCZ1000	FCZ1001											
Dimensions and weights																
A	mm	591		591												
B	mm	1320		1320												
C	mm	220		220												
Empty weight	kg	34		34												

Aermec reserves the right to make any modifications deemed necessary. All data is subject to change without notice. Aermec does not assume responsibility or liability for errors or omissions.

Aermec S.p.A.
Via Roma, 996 - 37040 Bevilacqua (VR) - Italia
Tel. 0442633111 - Telefax 044293577
www.aermec.com

SIZE AVAILABLE FOR VERSION

Size	100	101	102	150	200	201	202	250	300	301	302	350	400	401	402	450	500	501	502	550
Versions produced (by size)																				
Versions available (by size)	A,AS,U,UA	*	*	*	*	*	*	*	*	*	*	*	*	*	*	*	*	*	*	*
	ACT,APC	*	-	-	*	*	-	-	*	*	-	-	*	*	-	-	*	*	-	-
	AF,UF	*	-	-	*	*	-	-	*	*	-	-	*	*	-	-	*	*	-	-
Size	600	601	602	650	700	701	702	750	800	801	802	850	900	901	950	1000	1001			
Versions produced (by size)																				
Versions available (by size)	A,AS,U,UA	*	*	*	*	*	*	*	*	*	*	*	*	*	*	*	*	*	*	*
	ACT,APC	*	-	-	*	*	-	-	*	*	-	-	*	*	-	-	*	*	-	-
	AF,UF	-	-	-	-	-	-	-	-	-	-	-	-	*	*	-	-	*	*	-

ACCESSORIES

Control panels

AER503IR: Flush-mounting thermostat with backlit display, capacitive key-pad and infrared receiver, for controlling both brushless fan coils and those with an asynchronous motor. In 2-pipe systems, the thermostat can control standard fan coils or those equipped with an electric heater, with air purifying devices (Cold Plasma and germicidal lamp), with radiant plate or with FCZ-D twin delivery (Dualjet). In addition, it can control systems with radiant panels or mixed (fan coil and radiant floor) systems. Being equipped with an infrared receiver, it can, in turn, be controlled by the VMF-IR remote control.

PX2Z: On-board electromechanical switch.

SA5: air probe kit (L = 15 m) with probe-locking cable grommet.

SIT3: Thermostat Interface Card allowing the creation of a network of fan coils (max. 10) commanded by a central control panel (selector or thermostat). Commands the 3 fan speeds and must be installed on each fan coil within the network; receives the commands from the selector or the SIT5 card. In case you decide to install Aermec thermostats and current absorbed by the unit exceeds 0.7 A, you're obliged to include SIT3 accessory.

SIT5: Thermostat Interface Card allowing the creation of a network of fan coils (max. 10) commanded by a central control panel. Commands the 3 fan speeds and up to 2 valves (four pipe systems); sends the thermostat's commands to the fan coil network.

SW3: Water probe (L = 2.5 m) for controlling the minimum and maximum and to allow automatic seasonal switching for electronic thermostats fitted with water side changeover.

SW5: water probe kit (L = 15m) with probe-holder connection point, fixing clip and probe-holder from heat exchanger.

T-TOUCH: Touch control on board the machine, for controlling fan coils with asynchronous motors. In 2-pipe systems, it can control standard fan coils or those equipped with an electric heater, with air purifying devices or with FCZ-D twin delivery (Dualjet). In 4-pipe systems, only standard fan coils.

TX: Wall-mounting thermostat for controlling either brushless fan coils or those with asynchronous motors for 2/4 pipe. In 2-pipe systems, the thermostat can control standard fan coils or those equipped with an electric heater, with air purifying devices, radiant plate or FCZ-D twin delivery (Dualjet).

TXB: Wall-mounting thermostat for controlling either brushless fan coils or those with asynchronous motors for 2/4 pipe. In 2-pipe systems, the thermostat can control standard fan coils or those equipped with an electric heater, with air purifying devices, radiant plate or FCZ-D twin delivery (Dualjet).

WMT10: Electronic thermostat, white, with thermostated or continuous ventilation.

WMT16: Electronic thermostat with thermostated ventilation.

WMT16CV: Electronic thermostat with continuous ventilation.

AerSuite

The AerSuite application is used to remotely control the DI24 user interface, with VMF-E19/VMF-E19I thermostats, using Smart Devices with iOS and Android operating systems.

This is an application for Smartphones and Tablets with which the user can access and control the system operation remotely.

For more information about the use of the application and the available functions, refer to the respective documentation on the website.



VMF system

DI24: Flush-mounted interface (503 box) with 2.4" touch screen display to be combined with VMF-E19, VMF-E19I accessories. It allows you to regulate and monitor the temperature inside rooms precisely and on time; in addition to accessing and interacting with your system's operating information, parameters and alarms, it allows you to set time slots. Thanks to its Wi-Fi connection, DI24 in combination with the AerSuite APP (available for Android and iOS) can also be remotely controlled. All programming and most functions are done in a simple and intuitive way using the APP. It is supplied with a graphite grey plate; however, to allow the interface to be customised so that it fits in perfectly with the style of any home, DI24 is compatible with plates of the major brands available on the market, for more information please refer to our documentation.

VMF-E19: Thermostat to be secured to the side of the fan coil, fitted as standard with an air probe and a water probe.

VMF-E2Z: User interface on the machine, to be combined with the VMF-E19 and VMF-E19I accessory.

VMF-E3: Wall mounted user interface, to be combined with accessories VMF-E19, VMF-E19I, with grids GLF_N/M and GLL_N, can be controlled with VMF-IR control.

VMF-E4DX: Wall-mounted user interface. Grey front panel PANTONE 425C (METAL).

VMF-E4X: Wall-mounted user interface. Light grey front panel PANTONE COOL GRAY 1C.

VMF-IR: User interface compatible with the AER503IR, VMF-E3 thermostat and with all the grids of cassettes equipped with the infrared receiver compatible with the VMF system.

VMF-SW: Water probe (L = 2.5m) used if required in place of the standard unit supplied with the VMF-E19 and VMF-E19I thermostats for mounting it upstream of the valve.

VMF-SW1: Additional water probe (L = 2.5m) to be used if required for 4-pipe systems with the VMF-E19 and VMF-E19I thermostats for maximum control in the cold range

VMHI: The VMHI panel can be used as a user interface for VMF-E19/E19I thermostats, GLFxN/M or GLLxN grids, or as an interface for the MZC system. What determines the function to be performed by the user interface is determined by its correct parametrisation and by following the electrical connections between interface and thermostat or interface and plenum.

Water valves

VCZ_X: 3-way valve kit for single-coil fan coil, RH connections, (VCZ_X4R) or LH (VCZ_X4L) for 4-pipe systems. With totally separate "heating" and "cooling" circuits. This kit consists of two 3-way insulated valves and four connections, complete with electrothermal actuators, insulating shells for the valves, and the relative hydraulic couplings. X4L version for fan coils

with LH connections, and X4R for fan coils with RH connections. 230V~50Hz power supply.

VCZ: 3-way motorised valve kit for the main coil. The kit is made up of a valve with its insulating shell, actuator and relative hydraulic fittings. It can be installed on fan coils with both right and left connections. If the valve is combined with the BCZ5 or BCZ6 condensate drain pan, to ensure a better housing it is possible to remove the insulating shell.

VCF44 - 45 - for secondary heat exchanger: The 3-way motorised valve kit for the secondary coil heat only. The kit consists of a valve with its insulating shell, actuator and relevant water fittings; it is suitable to be installed on the fan coils with right and left water connections.

VCZD: 2-way motorised valve kit. The kit consists of a valve, an actuator and the relative pipe fittings. It can be installed on fan coils with both right and left connections.

VJP: Control and balancing combination valve for 2 and 4 pipe systems to install outside the unit, supplied without fittings and hydraulic components.

The valve, which can guarantee a constant water flow rate in the terminal, within its operating range.

(Heating only) additional coil

BV: Hot water heat exchanger with 1 row.

RX: Armoured electric coil with safety thermostat.

Installation accessories

PCZ: Metal panel for the unit rear closing. SPCZ brackets are necessary to fix floor standing fan coils.

GA: Lower intake grille for encapsulated fan coils. Can also be used in wall-mounted or floor installations, the FIKIT accessory is needed only in the case of floor installation.

FIKIT: Metal supports for vertical installation of the GA grille.

DSCZ4: Condensate drainage device.

BCZ: Condensate drip. If the valve is paired with the BCZ5 or BCZ6 condensate drip tray, the insulating shell can be removed to ensure better housing.

AMP: Wall mounting kit

ACCESSORIES COMPATIBILITY

Control panels

Model	Ver	100	101	102	150	200	201	202	250
AERS03IR (1)	AF,UF	*			*	*			*
	AS,U,UA	*	*	*	*	*	*	*	*
PX2Z	AF,UF	*			*	*			*
	AS,U	*	*	*	*	*	*	*	*
SAS (2)	AF,UF	*			*	*			*
	AS,U,UA	*	*	*	*	*	*	*	*
SIT3 (3)	AS,U,UA	*	*	*	*	*	*	*	*
SIT5 (4)	AS,U,UA	*	*	*	*	*	*	*	*
SW3 (2)	AF,AS,UF	*			*	*			*
	U,UA	*	*	*	*	*	*	*	*
SWS (2)	AF,UF	*			*	*			*
	AS,U,UA	*	*	*	*	*	*	*	*
T-TOUCH (5)	AF,UF	*			*	*			*
	AS,U	*	*	*	*	*	*	*	*
TX (6)	AF,UF	*			*	*			*
	AS,U,UA	*	*	*	*	*	*	*	*
TXB (5)	AF,UF	*			*	*			*
	AS,U,UA	*	*	*	*	*	*	*	*
WMT10 (6)	AF,UF	*			*	*			*
	AS,U,UA	*	*	*	*	*	*	*	*
WMT16 (6)	AF,AS,U,UA,UF	*			*	*			*
WMT16CV (6)	AF,UF	*			*	*			*
	AS,U	*	*	*	*	*	*	*	*
Model	Ver	300	301	302	350	400	401	402	450
AERS03IR (1)	AF,UF	*			*	*			*
	AS,U,UA	*	*	*	*	*	*	*	*
PX2Z	AF,UF	*			*	*			*
	AS,U	*	*	*	*	*	*	*	*
SAS (2)	AF,UF	*			*	*			*
	AS,U,UA	*	*	*	*	*	*	*	*
SIT3 (3)	AS,U,UA	*	*	*	*	*	*	*	*
SIT5 (4)	AS,U,UA	*	*	*	*	*	*	*	*
SW3 (2)	AF,AS,UF	*			*	*			*
	U,UA	*	*	*	*	*	*	*	*
SWS (2)	AF,UF	*			*	*			*
	AS,U,UA	*	*	*	*	*	*	*	*
T-TOUCH (5)	AF,UF	*			*	*			*
	AS,U	*	*	*	*	*	*	*	*
TX (6)	AF,UF	*			*	*			*
	AS,U,UA	*	*	*	*	*	*	*	*
TXB (5)	AF,UF	*			*	*			*
	AS,U,UA	*	*	*	*	*	*	*	*
WMT10 (6)	AF,UF	*			*	*			*
	AS,U,UA	*	*	*	*	*	*	*	*
WMT16 (6)	AF,AS,U,UA,UF	*			*	*			*
WMT16CV (6)	AF,UF	*			*	*			*
	AS,U	*	*	*	*	*	*	*	*
Model	Ver	500	501	502	550	600	601	602	650
AERS03IR (1)	AF,UF	*			*	*			*
	AS,U,UA	*	*	*	*	*	*	*	*

Model	Ver	500	501	502	550	600	601	602	650
PX2Z	AF,UF	*			*				
	AS,U	*	*	*	*	*	*	*	*
SAS (2)	AF,UF	*			*				
	AS,U,UA	*	*	*	*	*	*	*	*
SIT3 (3)	AS,U,UA	*	*	*	*	*	*	*	*
SIT5 (4)	AS,U,UA	*	*	*	*	*	*	*	*
SW3 (2)	AF,UF	*			*				
	AS	*			*	*	*	*	*
	U,UA	*	*	*	*	*	*	*	*
SW5 (2)	AF,UF	*			*				
	AS,U,UA	*	*	*	*	*	*	*	*
T-TOUCH (5)	AF,UF	*			*				
	AS,U	*	*	*	*	*	*	*	*
TX (6)	AF,UF	*			*				
	AS,U,UA	*	*	*	*	*	*	*	*
TXB (5)	AF,UF	*			*				
	AS,U,UA	*	*	*	*	*	*	*	*
WMT10 (6)	AF,UF	*			*				
	AS,U,UA	*	*	*	*	*	*	*	*
WMT16 (6)	AF,UF	*			*				
	AS,U,UA	*			*	*			*
WMT16CV (6)	AF,UF	*			*				
	AS,U	*	*	*	*	*	*	*	*

Model	Ver	700	701	702	750	800	801	802	850
AERS03IR (1)	AS,U,UA	*	*	*	*	*	*	*	*
PX2Z	AS,U	*	*	*	*	*	*	*	*
SAS (2)	AS,U,UA	*	*	*	*	*	*	*	*
SIT3 (3)	AS,U,UA	*	*	*	*	*	*	*	*
SIT5 (4)	AS,U,UA	*	*	*	*	*	*	*	*
SW3 (2)	AS,U,UA	*	*	*	*	*	*	*	*
SW5 (2)	AS,U,UA	*	*	*	*	*	*	*	*
T-TOUCH (5)	AS,U	*	*	*	*	*	*	*	*
TX (6)	AS,U,UA	*	*	*	*	*	*	*	*
TXB (5)	AS,U,UA	*	*	*	*	*	*	*	*
WMT10 (6)	AS,U,UA	*	*	*	*	*	*	*	*
WMT16 (6)	AS,U,UA	*			*	*			*
WMT16CV (6)	AS,U	*	*	*	*	*	*	*	*

Model	Ver	900	901	950	1000	1001
AERS03IR (1)	AF,UF			*	*	
	AS,U,UA	*	*	*	*	*
PX2Z	AF,UF				*	
	AS,U	*	*	*	*	*
SAS (2)	AF,UF			*	*	
	AS,U,UA	*	*	*	*	*
SIT3 (3)	AF,UF			*	*	
	AS,U,UA	*	*	*	*	*
SIT5 (4)	AF,UF			*	*	
	AS,U,UA	*	*	*	*	*
SW3 (2)	AF,UF			*	*	
	AS	*	*	*	*	*
	U,UA	*	*	*	*	*
SW5 (2)	AF,UF			*	*	
	AS,U,UA	*	*	*	*	*
T-TOUCH (5)	AF,UF	*		*	*	
	AS,U	*	*	*	*	*
TX (6)	AF,UF			*	*	
	AS,U,UA	*	*	*	*	*
TXB (5)	AF,UF	*		*	*	
	AS,U,UA	*	*	*	*	*
WMT10 (6)	AF,UF	*		*	*	
	AS,U,UA	*	*	*	*	*
WMT16 (6)	AF,AS,U,UA,UF	*		*	*	
WMT16CV (6)	AF,UF	*		*	*	
	AS,U	*	*	*	*	*

- (1) Wall-mount installation.
- (2) Probe for AERS03IR-TX thermostats, if fitted.
- (3) Cards for AERS03IR-TX thermostats, if present, to be installed if the unit absorption exceeds 0,7 Ampere.
- (4) Probe for AERS03IR-TX thermostats, if fitted.
- (5) Installation on the fan coil.
- (6) Wall-mounting. If the unit intake exceeds 0.7A, or several units need to be managed with a single thermostat, board SIT3 and/or SIT5 is required.

VMF system

For more information about VMF system, refer to the dedicated documentation.

VMF system

Model	Ver	100	101	102	150	200	201	202	250	300	301
DI24	AF,AS,U,UA,UF	*			*	*			*	*	
VMF-E19 (1)	AF,UF	*			*	*			*	*	
	AS,U,UA	*	*	*	*	*	*	*	*	*	*
VMF-E2Z	AF,UF	*			*	*			*	*	
	AS,U,UA	*	*	*	*	*	*	*	*	*	*
VMF-E3	AF,UF	*			*	*			*	*	
	U,UA	*	*	*	*	*	*	*	*	*	*
VMF-E4DX	AF,UF	*			*	*			*	*	
	AS,U,UA	*	*	*	*	*	*	*	*	*	*
VMF-E4X	AF,UF	*			*	*			*	*	
	AS,U,UA	*	*	*	*	*	*	*	*	*	*
VMF-IR	AF,UF	*			*	*			*	*	
	U,UA	*	*	*	*	*	*	*	*	*	*
VMF-SW	AF,UF	*			*	*			*	*	
	AS,U	*	*	*	*	*	*	*	*	*	*
VMF-SW1	AF,UF	*			*	*			*	*	
	AS,U	*	*	*	*	*	*	*	*	*	*
VMHI	AF,UF	*			*	*			*	*	
	AS,U,UA	*	*	*	*	*	*	*	*	*	*

Model	Ver	302	350	400	401	402	450	500	501	502	550
DI24	AF,AS,U,UA,UF	*	*	*	*	*	*	*	*	*	*
VMF-E19 (1)	AF,UF	*	*	*	*	*	*	*	*	*	*
	AS,U,UA	*	*	*	*	*	*	*	*	*	*
VMF-E2Z	AF,UF	*	*	*	*	*	*	*	*	*	*
	AS,U,UA	*	*	*	*	*	*	*	*	*	*
VMF-E3	AF,UF	*	*	*	*	*	*	*	*	*	*
	U,UA	*	*	*	*	*	*	*	*	*	*
VMF-E4DX	AF,UF	*	*	*	*	*	*	*	*	*	*
	AS,U,UA	*	*	*	*	*	*	*	*	*	*
VMF-E4X	AF,UF	*	*	*	*	*	*	*	*	*	*
	AS,U,UA	*	*	*	*	*	*	*	*	*	*
VMF-IR	AF,UF	*	*	*	*	*	*	*	*	*	*
	U,UA	*	*	*	*	*	*	*	*	*	*
VMF-SW	AF,UF	*	*	*	*	*	*	*	*	*	*
	AS,U	*	*	*	*	*	*	*	*	*	*
VMF-SW1	AF,UF	*	*	*	*	*	*	*	*	*	*
	AS,U	*	*	*	*	*	*	*	*	*	*
VMHI	AF,UF	*	*	*	*	*	*	*	*	*	*
	AS,U,UA	*	*	*	*	*	*	*	*	*	*

Model	Ver	600	601	602	650	700	701	702	750	800	801
DI24	AF,AS,U,UA,UF	*	*	*	*	*	*	*	*	*	*
VMF-E19 (1)	AS,UA	*	*	*	*	*	*	*	*	*	*
	U	*	*	*	*	*	*	*	*	*	*
VMF-E2Z	AS,UA	*	*	*	*	*	*	*	*	*	*
	U	*	*	*	*	*	*	*	*	*	*
VMF-E3	AF,UF	*	*	*	*	*	*	*	*	*	*
	U,UA	*	*	*	*	*	*	*	*	*	*
VMF-E4DX	AS,UA	*	*	*	*	*	*	*	*	*	*
	U	*	*	*	*	*	*	*	*	*	*
VMF-E4X	AS,UA	*	*	*	*	*	*	*	*	*	*
	U	*	*	*	*	*	*	*	*	*	*
VMF-IR	AF,UF	*	*	*	*	*	*	*	*	*	*
	U,UA	*	*	*	*	*	*	*	*	*	*
VMF-SW	AS	*	*	*	*	*	*	*	*	*	*
	U	*	*	*	*	*	*	*	*	*	*
VMF-SW1	AS	*	*	*	*	*	*	*	*	*	*
	U	*	*	*	*	*	*	*	*	*	*
VMHI	AS,UA	*	*	*	*	*	*	*	*	*	*
	U	*	*	*	*	*	*	*	*	*	*

Model	Ver	802	850	900	901	950	1000	1001
DI24	AF,AS,U,UA,UF	*	*	*	*	*	*	*
VMF-E19 (1)	AF,UF	*	*	*	*	*	*	*
	AS,UA	*	*	*	*	*	*	*
	U	*	*	*	*	*	*	*

Model	Ver	802	850	900	901	950	1000	1001
VMF-E2Z	AF,UF					*		
	AS,UA	*	*	*	*	*	*	*
	U	*	*	*	*	*	*	*
VMF-E3	AF		*	*	*	*		
	U,UA	*	*	*	*	*	*	*
	UF	*	*	*	*	*	*	*
VMF-E4DX	AF,UF					*		
	AS,UA	*	*	*	*	*	*	*
	U	*	*	*	*	*	*	*
VMF-E4X	AF,UF					*		
	AS,UA	*	*	*	*	*	*	*
	U	*	*	*	*	*	*	*
VMF-IR	AF		*	*	*	*		
	U,UA	*	*	*	*	*	*	*
	UF	*	*	*	*	*	*	*
VMF-SW	AF,UF					*		
	AS	*	*	*	*	*	*	*
	U	*	*	*	*	*	*	*
VMF-SW1	AF,UF					*		
	AS	*	*	*	*	*	*	*
	U	*	*	*	*	*	*	*
VMHI	AF,UF					*		
	AS,UA	*	*	*	*	*	*	*
	U	*	*	*	*	*	*	*

(1) Also the accessory VMF-SIT3V is mandatory if the unit exceeds 0.7 Amperes.

Water valves

3 way valve kit

	100	101	102	150	200	201	202	250	300	301	302	350	400	401	402	450
Main coil	VCZ41	VCZ41	VCZ41	VCZ41	VCZ41	VCZ41	VCZ41	VCZ41	VCZ42	VCZ42	VCZ42	VCZ42	VCZ42	VCZ42	VCZ42	VCZ42
	VCZ4124	VCZ4124	VCZ4124	VCZ4124	VCZ4124	VCZ4124	VCZ4124	VCZ4124	VCZ4224	VCZ4224	VCZ4224	VCZ4224	VCZ4224	VCZ4224	VCZ4224	VCZ4224
Secondary coil	-	VCF44	VCF44	-	-	VCF44	VCF44	-	-	VCF44	VCF44	-	-	VCF44	VCF44	-
	-	VCF4424	VCF4424	-	-	VCF4424	VCF4424	-	-	VCF4424	VCF4424	-	-	VCF4424	VCF4424	-
Additional coil "BV"	VCF44	-	-	-	VCF44	-	-	-	VCF44	-	-	-	VCF44	-	-	-
	VCF4424	-	-	-	VCF4424	-	-	-	VCF4424	-	-	-	VCF4424	-	-	-

	500	501	502	550	600	601	602	650	700	701	702	750	800	801	802	850
Main coil	VCZ42	VCZ42	VCZ42	VCZ42	VCZ42	VCZ42	VCZ42	VCZ42	VCZ42	VCZ42	VCZ42	VCZ42	VCZ42	VCZ42	VCZ42	VCZ42
	VCZ4224	VCZ4224	VCZ4224	VCZ4224	VCZ4224	VCZ4224	VCZ4224	VCZ4224	VCZ4224	VCZ4224	VCZ4224	VCZ4224	VCZ4224	VCZ4224	VCZ4224	VCZ4224
Secondary coil	-	VCF44	VCF44	-	-	VCF44	VCF44	-	-	VCF44	VCF44	-	-	VCF44	VCF44	-
	-	VCF4424	VCF4424	-	-	VCF4424	VCF4424	-	-	VCF4424	VCF4424	-	-	VCF4424	VCF4424	-
Additional coil "BV"	VCF44	-	-	-	VCF44	-	-	-	VCF44	-	-	-	VCF44	-	-	-
	VCF4424	-	-	-	VCF4424	-	-	-	VCF4424	-	-	-	VCF4424	-	-	-

	900	901	950	1000	1001
Main coil	VCZ43	VCZ43	VCZ43	VCZ43	VCZ43
	VCZ4324	VCZ4324	VCZ4324	VCZ4324	VCZ4324
Secondary coil	-	VCF45	-	-	VCF45
	-	VCF4524	-	-	VCF4524
Additional coil "BV"	VCF45	-	-	VCF45	-
	VCF4524	-	-	VCF4524	-

2 way valve kit

	100	101	102	150	200	201	202	250	300	301	302	350	400	401	402	450
Main coil	VCZD1	VCZD1	VCZD1	VCZD1	VCZD1	VCZD1	VCZD1	VCZD1	VCZD2	VCZD2	VCZD2	VCZD2	VCZD2	VCZD2	VCZD2	VCZD2
	VCZD124	VCZD124	VCZD124	VCZD124	VCZD124	VCZD124	VCZD124	VCZD124	VCZD224	VCZD224	VCZD224	VCZD224	VCZD224	VCZD224	VCZD224	VCZD224
Secondary coil	-	VCFD4	VCFD4	-	-	VCFD4	VCFD4	-	-	VCFD4	VCFD4	-	-	VCFD4	VCFD4	-
	-	VCFD424	VCFD424	-	-	VCFD424	VCFD424	-	-	VCFD424	VCFD424	-	-	VCFD424	VCFD424	-
Additional coil "BV"	VCFD4	-	-	-	VCFD4	-	-	-	VCFD4	-	-	-	VCFD4	-	-	-
	VCFD424	-	-	-	VCFD424	-	-	-	VCFD424	-	-	-	VCFD424	-	-	-

	500	501	502	550	600	601	602	650	700	701	702	750	800	801	802	850
Main coil	VCZD2	VCZD2	VCZD2	VCZD2	VCZD2	VCZD2	VCZD2	VCZD2	VCZD2	VCZD2	VCZD2	VCZD2	VCZD2	VCZD2	VCZD2	VCZD2
	VCZD224	VCZD224	VCZD224	VCZD224	VCZD224	VCZD224	VCZD224	VCZD224	VCZD224	VCZD224	VCZD224	VCZD224	VCZD224	VCZD224	VCZD224	VCZD224
Secondary coil	-	VCFD4	VCFD4	-	-	VCFD4	VCFD4	-	-	VCFD4	VCFD4	-	-	VCFD4	VCFD4	-
	-	VCFD424	VCFD424	-	-	VCFD424	VCFD424	-	-	VCFD424	VCFD424	-	-	VCFD424	VCFD424	-
Additional coil "BV"	VCFD4	-	-	-	VCFD4	-	-	-	VCFD4	-	-	-	VCFD4	-	-	-
	VCFD424	-	-	-	VCFD424	-	-	-	VCFD424	-	-	-	VCFD424	-	-	-

	100	101	102	150	200	201	202	250	300	301	302	350	400	401	402	450
	900	901	950	1000	1001											
Main coil	VCZD3 VCZD324	VCZD3 VCZD324	VCZD3 VCZD324	VCZD3 VCZD324	VCZD3 VCZD324											
Secondary coil	-	VCFD4 VCFD424	-	-	VCFD4 VCFD424											
Additional coil "BV"	VCFD4 VCFD424	-	-	VCFD4 VCFD424	-											

Valve Kit for 4 pipe systems - Requires a thermostat with valve management

Model	Ver	100	101	102	150	200	201	202	250
VCZ1X4L (1)	AF,AS,U,UA,UF
VCZ1X4R (1)	AF,AS,U,UA,UF
Model	Ver	300	301	302	350	400	401	402	450
VCZ2X4L (1)	AF,AS,U,UA,UF
VCZ2X4R (1)	AF,AS,U,UA,UF
Model	Ver	500	501	502	550	600	601	602	650
VCZ3X4L (1)	AF,UF
	AS,U,UA
VCZ3X4R (1)	AF,UF
	AS,U,UA
Model	Ver	700	701	702	750	800	801	802	850
VCZ4X4L (1)	AS,U,UA
VCZ4X4R (1)	AS,U,UA
Model	Ver	900	901	950	1000	1001			
VCZ5X4L (1)	AF,AS,U,UA,UF
VCZ5X4R (1)	AF,AS,U,UA,UF

(1) The valves can be combined with the units if there is a control panel for managing them.

Combined Adjustment and Balancing Valve Kit

Model	Ver	100	101	102	150	200	201	202	250
VJP060 (1)	ACT,APC
	AS,U,UA
VJP060M (2)	ACT,APC
	AS,U,UA
Model	Ver	300	301	302	350	400	401	402	450
VJP060 (1)	ACT,APC
	AS,U,UA
VJP060M (2)	ACT,APC
	AS,U,UA
VJP090 (1)	ACT,APC					.			.
	AS,U,UA
VJP090M (2)	ACT,APC					.			.
	AS,U,UA
Model	Ver	500	501	502	550	600	601	602	650
VJP090 (1)	ACT,APC
	AS,U,UA
VJP090M (2)	ACT,APC
	AS,U,UA
VJP150 (1)	ACT,APC					.			.
	AS,U,UA
VJP150M (2)	ACT,APC					.			.
	AS,U,UA
Model	Ver	700	701	702	750	800	801	802	850
VJP150 (1)	ACT,APC
	AS,U,UA
VJP150M (2)	ACT,APC
	AS,U,UA
Model	Ver	900	901	950	1000	1001			
VJP150 (1)	ACT,APC
	AS,U,UA
VJP150M (2)	ACT,APC
	AS,U,UA

(1) 230V~50Hz
(2) 24V

(Heating only) additional coil

Heating only additional coil

Model	Ver	100	101	102	150	200	201	202	250
BV117 (1)	A,AF,AS,U,UA,UF	.							
BV122 (1)	A,AF,AS,U,UA,UF					.			
Model	Ver	300	301	302	350	400	401	402	450
BV132 (1)	A,AF,AS,U,UA,UF	.							
BV142 (1)	A,AF,AS,U,UA,UF					.			
Model	Ver	500	501	502	550	600	601	602	650
BV142 (1)	A,AF,AS,U,UA,UF	.							
BVZ800 (1)	A,AS,U,UA					.			
Model	Ver	700	701	702	750	800	801	802	850
BVZ800 (1)	A,AS,U,UA	.				.			
Model	Ver	900	901	950	1000	1001			
BV162 (1)	A,AF,AS,U,UA,UF	.				.			

(1) Not available for sizes with oversized main coil.

Electric coil - Requires a thermostat with heater management. Not available for sizes with an oversized main coil.

Model	Ver	100	101	102	150	200	201	202	250
RX17 (1)	AF,AS,U,UA,UF	.							
RX22 (1)	AF,AS,U,UA,UF					.			
Model	Ver	300	301	302	350	400	401	402	450
RX32 (1)	AF,AS,U,UA,UF	.							
RX42 (1)	AF,AS,U,UA,UF					.			
Model	Ver	500	501	502	550	600	601	602	650
RX52 (1)	AF,AS,U,UA,UF	.							
RXZ800 (1)	AS,U,UA					.			
Model	Ver	700	701	702	750	800	801	802	850
RXZ800 (1)	AS,U,UA	.				.			
Model	Ver	900	901	950	1000	1001			
RX62 (1)	AF,AS,U,UA,UF	.				.			

(1) It requires a thermostat with heater management and the units without a housing also require the PCR1 or PCR2 accessory, depending on the unit. The heater is not available for sizes with a larger main battery.

Installation accessories

Wall mounting kit

Ver	100	101	102	150	200	201	202	250
U,UA	AMP20	AMP20	AMP20	AMP20	AMP20	AMP20	AMP20	AMP20
UF	AMP20	-	-	AMP20	AMP20	-	-	AMP20
Ver	300	301	302	350	400	401	402	450
U,UA	AMP20	AMP20	AMP20	AMP20	AMP20	AMP20	AMP20	AMP20
UF	AMP20	-	-	AMP20	AMP20	-	-	AMP20
Ver	500	501	502	550	600	601	602	650
U,UA	AMP20	AMP20	AMP20	AMP20	AMPZ	AMPZ	AMPZ	AMPZ
UF	AMP20	-	-	AMP20	-	-	-	-

The accessory cannot be fitted on the configurations indicated with -

Ver	700	701	702	750	800	801	802	850
U,UA	AMPZ	AMPZ	AMPZ	AMPZ	AMPZ	AMPZ	AMPZ	AMPZ
Ver	900	901	950	1000	1001			
U,UA	AMPZ	AMPZ	AMPZ	AMPZ	AMPZ			

Condensate recirculation device

Model	Ver	100	101	102	150	200	201	202	250
DSC24 (1)	A,AS,U,UA
	ACT,APC
Model	Ver	300	301	302	350	400	401	402	450
DSC24 (1)	A,AS,U,UA
	ACT,APC
Model	Ver	500	501	502	550	600	601	602	650
DSC24 (1)	A,AS,U,UA
	ACT,APC
Model	Ver	700	701	702	750	800	801	802	850
DSC24 (1)	A,AS,U,UA
	ACT,APC

Model	Ver	900	901	950	1000	1001
DSCZ4 (1)	A,AS,U,UA	*	*	*	*	*
	ACT,APC	*		*	*	

(1) DSCZ4 due to space problems inside the unit, the VCZ1-2-3-4 X4L/R valves cannot be mounted together with the amp/AMPZ accessories, with all the condensate collection trays. With the VMF-E19/E19I thermostats, please contact the head office.

Condensate drip

Model	Ver	100	101	102	150	200	201	202	250
BCZ4 (1)	A,AS,U,UA	*	*	*	*	*	*	*	*
	ACT,APC	*			*	*			*
BCZ5 (2)	A,AS,U,UA	*	*	*	*	*	*	*	*
	ACT,APC	*			*	*			*

Model	Ver	300	301	302	350	400	401	402	450
BCZ4 (1)	A,AS,U,UA	*	*	*	*	*	*	*	*
	ACT,APC	*			*	*			*
BCZ5 (2)	A,AS,U,UA	*	*	*	*	*	*	*	*
	ACT,APC	*			*	*			*

Model	Ver	500	501	502	550	600	601	602	650
BCZ4 (1)	A,AS,U,UA	*	*	*	*	*	*	*	*
	ACT,APC	*			*	*			*
BCZ5 (2)	A,AS,U,UA	*	*	*	*	*	*	*	*
	ACT,APC	*			*	*			*

Model	Ver	700	701	702	750	800	801	802	850
BCZ4 (1)	A,AS,U,UA	*	*	*	*	*	*	*	*
	ACT,APC	*			*	*			*
BCZ5 (2)	A,AS,U,UA	*	*	*	*	*	*	*	*
	ACT,APC	*			*	*			*

Model	Ver	900	901	950	1000	1001
BCZ4 (1)	A,AS,U,UA	*	*	*	*	*
	ACT,APC	*		*	*	
BCZ6 (2)	A,AS,U,UA	*	*	*	*	*
	ACT,APC	*		*	*	

(1) For vertical installation.
(2) For horizontal installation.

Panel closing the rear of the unit

Model	Ver	100	101	102	150	200	201	202	250
PCZ100	A,AS,U,UA	*	*	*	*				
	ACT,APC	*			*				
PCZ200	A,AS,U,UA					*	*	*	*
	ACT,APC					*			*

Model	Ver	300	301	302	350	400	401	402	450
PCZ300	A,AS,U,UA	*	*	*	*				
	ACT,APC	*			*				
PCZ500	A,AS,U,UA					*	*	*	*
	ACT,APC					*			*

Model	Ver	500	501	502	550	600	601	602	650
PCZ500	A,AS,U,UA	*	*	*	*				
	ACT,APC	*			*				
PCZ800	A,AS,U,UA					*	*	*	*
	ACT,APC					*			*

Model	Ver	700	701	702	750	800	801	802	850
PCZ800	A,AS,U,UA	*	*	*	*	*	*	*	*
	ACT,APC	*			*	*			*

Model	Ver	900	901	950	1000	1001
PCZ1000	A,AS,U,UA	*	*	*	*	*
	ACT,APC	*		*	*	

Lower intake grille

Model	Ver	100	101	102	150	200	201	202	250
GA100	U,UA	*	*	*	*				
GA200	U,UA					*	*	*	*

Model	Ver	300	301	302	350	400	401	402	450
GA300	U,UA	*	*	*	*				
GA500	U,UA					*	*	*	*

Model	Ver	500	501	502	550	600	601	602	650
GA500	U,UA	*	*	*	*				
GA800	U,UA					*	*	*	*

Model	Ver	700	701	702	750	800	801	802	850
GA800	U,UA
Model	Ver	900	901	950	1000	1001			
GA800	U,UA

Supports to be combined with the ornamental grille (GA) for floor installation of the fan coil

Model	Ver	100	101	102	150	200	201	202	250
FIKIT100	A,AS,U,UA				
	ACT,AF,APC,UF	.			.				
FIKIT200	A,AS,U,UA				
	ACT,AF,APC,UF					.			.

Model	Ver	300	301	302	350	400	401	402	450
FIKIT300	A,AS,U,UA				
	ACT,AF,APC,UF	.			.				
FIKIT500	A,AS,U,UA				
	ACT,AF,APC,UF					.			.

Model	Ver	500	501	502	550	600	601	602	650
FIKIT500	A,AS,U,UA				
	ACT,AF,APC,UF	.			.				
FIKIT800	A,AS,U,UA				
	ACT,APC					.			.

Model	Ver	700	701	702	750	800	801	802	850
FIKIT800	ACT,APC
	U,UA

Model	Ver	900	901	950	1000	1001			
FIKIT800	A,AS,U,UA
	ACT,AF,APC,UF

Pair of stylish structural feet

Model	Ver	100	101	102	150	200	201	202	250
ZXZ	A,AS,U,UA
	ACT,APC

Model	Ver	300	301	302	350	400	401	402	450
ZXZ	A,AS,U,UA
	ACT,APC

Model	Ver	500	501	502	550	600	601	602	650
ZXZ	A,AS,U,UA
	ACT,APC

Model	Ver	700	701	702	750	800	801	802	850
ZXZ	A,AS,U,UA
	ACT,APC

Model	Ver	900	901	950	1000	1001			
ZXZ	A,AS,U,UA
	ACT,APC

FCZ-D

Fan coil for vertical wall-mounting or free-standing installation

Cooling capacity 0,89 ÷ 4,25 kW
Heating capacity 2,02 ÷ 8,50 kW

- Fully silent operation
- Backlit touch command with programming via a smart device
- Total comfort in every season



DESCRIPTION

The perception of uneven temperature distribution in various settings, especially in the vertical direction, is one of the main factors leading to a drastic reduction in the well-being perceived by occupants.

FCZ D are able to provide a pleasant sensation of comfort by directing the air in a way that ensures uniform temperature distribution throughout the setting. In winter, hot air is direct downwards; in summer, cool air is directed upwards.

Air supply switching at the front or from the top by operating directly on the orientable grille.

They can be installed in any type of 2 / 4 pipe system and in combination with any heat generator even at low temperatures. Thanks to the availability of several versions and configurations, it is easy to choose the optimal solution for every requirement.

FEATURES

Case

Protective metal cabinet with anti-corrosion polyester RAL 9003 paint, whereas the head with the air distribution grille is in RAL 7047 plastic.

Ventilation group

Consisting of double suction centrifugal fans that are particularly silent, statically and dynamically balanced, and directly coupled with the motor shaft.

The motor is wired for single phase and has three speeds, with capacitor. The motor is fitted on sealed for life bearings and is secured on anti-vibration and self-lubricating mountings.

Extractable shrouds for easy, effective cleaning

Finned pack heat exchanger

With copper pipes and aluminium louvers, the main heat exchanger has female gas water connections on the left side and the manifolds have air vents.

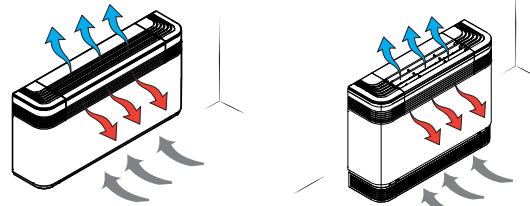
The coil is not suitable for use in corrosive atmosphere or in environments where aluminium may be subject to corrosion.

The hydraulic connections can be inverted during installation.

Air filter

Air filter class Coarse 25% for all versions easy to pull out and clean.

VERSION WITH DOUBLE SUPPLY



FCZ_D

— With on-board thermostat.

FCZ_DS

— Compatibility with VMF system.

— Without installed switch

GUIDE TO SELECTING THE POSSIBLE CONFIGURATIONS

Field	Description
1,2,3	FCZ
4	Size 2, 3, 4, 5
5	main heat exchanger
0	Standard
6	Secondary heat exchanger
0	Without coil
7	Version
D	Dualjet with thermostat TXB on-board the system
DS	Dualjet without on-board thermostat

ACCESSORIES

Control panels

AER503IR: Flush-mounting thermostat with backlit display, capacitive keypad and infrared receiver, for controlling both brushless fan coils and those with an asynchronous motor. In 2-pipe systems, the thermostat can control standard fan coils or those equipped with an electric heater, with air puri-

fying devices (Cold Plasma and germicidal lamp), with radiant plate or with FCZ-D twin delivery (Dualjet). In addition, it can control systems with radiant panels or mixed (fan coil and radiant floor) systems. Being equipped with an infrared receiver, it can, in turn, be controlled by the VMF-IR remote control.

PRO503: Wall box for AER503IR and VMF-E4 thermostats.

SAS: air probe kit (L = 15 m) with probe-locking cable grommet.

SW3: Water probe (L = 2.5 m) for controlling the minimum and maximum and to allow automatic seasonal switching for electronic thermostats fitted with water side changeover.

SW5: water probe kit (L = 15m) with probe-holder connection point, fixing clip and probe-holder from heat exchanger.

T-TOUCH: Touch control on board the machine, for controlling fan coils with asynchronous motors. In 2-pipe systems, it can control standard fan coils or those equipped with an electric heater, with air purifying devices or with FCZ-D twin delivery (Dualjet). In 4-pipe systems, only standard fan coils.

TX: Wall-mounting thermostat for controlling either brushless fan coils or those with asynchronous motors for 2/4 pipe. In 2-pipe systems, the thermostat can control standard fan coils or those equipped with an electric heater, with air purifying devices, radiant plate or FCZ-D twin delivery (Dualjet).

AerSuite

The AerSuite application is used to remotely control the DI24 user interface, with VMF-E19/VMF-E19I thermostats, using Smart Devices with iOS and Android operating systems.

This is an application for Smartphones and Tablets with which the user can access and control the system operation remotely.

For more information about the use of the application and the available functions, refer to the respective documentation on the website.



VMF system

DI24: Flush-mounted interface (503 box) with 2.4" touch screen display to be combined with VMF-E19, VMF-E19I accessories. It allows you to regulate and monitor the temperature inside rooms precisely and on time; in addition to accessing and interacting with your system's operating information, parameters and alarms, it allows you to set time slots. Thanks to its Wi-Fi connection, DI24 in combination with the AerSuite APP (available for Android and iOS) can also be remotely controlled. All programming and most functions are done in a simple and intuitive way using the APP. It is supplied with a graphite grey plate; however, to allow the interface to be customised so that it fits in perfectly with the style of any home, DI24 is compatible with

plates of the major brands available on the market, for more information please refer to our documentation.

VMF-E19: Thermostat to be secured to the side of the fan coil, fitted as standard with an air probe and a water probe.

VMF-E2Z: User interface on the machine, to be combined with the VMF-E19 and VMF-E19I accessory.

VMF-E3: Wall mounted user interface, to be combined with accessories VMF-E19, VMF-E19I, with grids GLF_N/M and GLL_N, can be controlled with VMF-IR control.

VMF-E4DX: Wall-mounted user interface. Grey front panel PANTONE 425C (METAL).

VMF-E4X: Wall-mounted user interface. Light grey front panel PANTONE COOL GRAY 1C.

VMF-IO: Manage the unit exclusively from a centralized VMF control panel without area control panel.

VMF-IR: User interface compatible with the AER503IR, VMF-E3 thermostat and with all the grids of cassettes equipped with the infrared receiver compatible with the VMF system.

VMHI: The VMHI panel can be used as a user interface for VMF-E19/E19I thermostats, GLFxN/M or GLLxN grids, or as an interface for the MZC system. What determines the function to be performed by the user interface is determined by its correct parametrisation and by following the electrical connections between interface and thermostat or interface and plenum.

Water valves

VCZ_X: 3-way valve kit for single-coil fan coil, RH connections, (VCZ_X4R) or LH (VCZ_X4L) for 4-pipe systems. With totally separate "heating" and "cooling" circuits. This kit consists of two 3-way insulated valves and four connections, complete with electrothermal actuators, insulating shells for the valves, and the relative hydraulic couplings. X4L version for fan coils with LH connections, and X4R for fan coils with RH connections. 230V~50Hz power supply.

VCZ: 3-way motorised valve kit for the main coil. The kit is made up of a valve with its insulating shell, actuator and relative hydraulic fittings. It can be installed on fan coils with both right and left connections. If the valve is combined with the BCZ5 or BCZ6 condensate drain pan, to ensure a better housing it is possible to remove the insulating shell.

VCZD: 2-way motorised valve kit. The kit consists of a valve, an actuator and the relative pipe fittings. It can be installed on fan coils with both right and left connections.

VJP: Control and balancing combination valve for 2 and 4 pipe systems to install outside the unit, supplied without fittings and hydraulic components. The valve, which can guarantee a constant water flow rate in the terminal, within its operating range.

Installation accessories

PCZ: Metal panel for the unit rear closing. SPCZ brackets are necessary to fix floor standing fan coils.

GA: Lower intake grille for encapsulated fan coils. Can also be used in wall-mounted or floor installations, the FIKIT accessory is needed only in the case of floor installation.

FIKIT: Metal supports for vertical installation of the GA grille.

DSCZ4: Condensate drainage device.

BCZ: Condensate drip. If the valve is paired with the BCZ5 or BCZ6 condensate drip tray, the insulating shell can be removed to ensure better housing.

ACCESSORIES COMPATIBILITY

Control panels

Model	Ver	200	300	400	500
AER503IR (1)	DS	•	•	•	•
PRO503	DS	•	•	•	•
SAS (2)	DS	•	•	•	•
SW3 (2)	DS	•	•	•	•
SW5 (2)	DS	•	•	•	•
T-TOUCH (3)	DS	•	•	•	•
TX (4)	DS	•	•	•	•

(1) Wall-mount installation.

(2) Probe for AER503IR-TX thermostats, if fitted.

(3) Installation on the fan coil.

(4) Wall-mounting. If the unit intake exceeds 0.7A, or several units need to be managed with a single thermostat, board SIT3 and/or SIT5 is required.

VMF system

For more information about VMF system, refer to the dedicated documentation.

Model	Ver	200	300	400	500
DI24	DS	•	•	•	•
VMF-E19 (1)	DS	•	•	•	•
VMF-E2Z	DS	•	•	•	•
VMF-E3	DS	•	•	•	•
VMF-E4DX	DS	•	•	•	•
VMF-E4X	DS	•	•	•	•
VMF-I0	DS	•	•	•	•
VMF-IR	DS	•	•	•	•
VMHI	DS	•	•	•	•

(1) Also the accessory VMF-SIT3V is mandatory if the unit exceeds 0.7 Amperes.

Water valves

3 way valve kit

Model	Ver	200	300	400	500
VCZ41 (1)	D,DS	•			
VCZ4124 (2)	D,DS	•			
VCZ42 (1)	D,DS		•	•	•
VCZ4224 (2)	D,DS		•	•	•

(1) 230V~50Hz

(2) 24V

2 way valve kit

Model	Ver	200	300	400	500
VCZD1 (1)	D,DS	•			
VCZD124 (2)	D,DS	•			
VCZD2 (1)	D,DS		•	•	•
VCZD224 (2)	D,DS		•	•	•

(1) 230V~50Hz

(2) 24V

Valve Kit for 4 pipe systems - Requires a thermostat with valve management

Model	Ver	200	300	400	500
VCZ1X4L (1)	D,DS	•			
VCZ1X4R (1)	D,DS	•			
VCZ2X4L (1)	D,DS		•	•	•
VCZ2X4R (1)	D,DS		•	•	•

(1) The valves can be combined with the units if there is a control panel for managing them.

Combined Adjustment and Balancing Valve Kit

Model	Ver	200	300	400	500
VJP060 (1)	D,DS	•	•		
VJP060M (2)	D,DS	•	•		
VJP090 (1)	D,DS			•	•
VJP090M (2)	D,DS			•	•

(1) 230V~50Hz

(2) 24V

Installation accessories

Condensate recirculation device

Model	Ver	200	300	400	500
DSCZ4 (1)	D,DS	•	•	•	•

(1) DSCZ4 due to space problems inside the unit, the VCZ1-2-3-4 X4L/R valves cannot be mounted together with the amp/AMPZ accessories, with all the condensate collection trays. With the VMF-E19/E19I thermostats, please contact the head office.

Condensate drip

Model	Ver	200	300	400	500
BCZ4 (1)	D,DS	•	•	•	•

(1) For vertical installation.

Panel closing the rear of the unit

Model	Ver	200	300	400	500
PCZ200	D,DS	•			
PCZ300	D,DS		•		
PCZ500	D,DS			•	•

Ornamental grille

Model	Ver	200	300	400	500
GA200	D,DS	•			
GA300	D,DS		•		
GA500	D,DS			•	•

Supports to be combined with the ornamental grille (GA) for floor installation of the fan coil

Model	Ver	200	300	400	500
FIKIT200	D,DS	•			

Model	Ver	200	300	400	500
FIKIT300	D,DS		.		
FIKIT500	D,DS			.	.

Pair of stylish structural feet

Model	Ver	200	300	400	500
ZXZ	D,DS

PERFORMANCE SPECIFICATIONS**2-pipe**

	FCZ200D			FCZ300D			FCZ400D			FCZ500D		
	1	2	3	1	2	3	1	2	3	1	2	3
	L	M	H	L	M	H	L	M	H	L	M	H

Heating performance 70 °C / 60 °C (1)

Heating capacity	kW	2,02	2,95	3,70	3,47	4,46	5,50	4,32	5,74	7,15	5,27	7,31	8,50
Water flow rate system side	l/h	177	258	324	304	391	482	379	503	627	462	641	745
Pressure drop system side	kPa	6	12	18	7	12	18	9	16	24	12	21	28

Heating performance 45 °C / 40 °C (2)

Heating capacity	kW	1,00	1,46	1,84	1,72	2,21	2,73	2,14	2,85	3,55	2,62	3,63	4,22
Water flow rate system side	l/h	174	254	319	299	385	475	373	495	617	455	631	734
Pressure drop system side	kPa	6	12	18	8	12	18	10	16	24	12	21	28

Cooling performance 7 °C / 12 °C

Cooling capacity	kW	0,89	1,28	1,60	1,68	2,17	2,65	2,20	2,92	3,60	2,68	3,69	4,25
Sensible cooling capacity	kW	0,71	1,05	1,33	1,26	1,65	2,04	1,59	2,14	2,67	1,94	2,73	3,18
Water flow rate system side	l/h	153	221	275	288	374	456	379	503	619	460	634	731
Pressure drop system side	kPa	7	13	18	8	13	18	10	17	24	13	23	29

Fan

Type	type	Centrifugal											
Fan motor	type	Asynchronous											
Number	no.	1			2			2			2		
Air flow rate	m ³ /h	140	220	290	260	350	450	330	460	600	400	600	720
Input power	W	13	25	35	25	33	44	30	43	57	38	52	76
Electrical wiring		V1	V2	V3	V1	V2	V3	V1	V2	V3	V1	V2	V3

Fan coil sound data (3)

Sound power level	dB(A)	35,0	46,0	51,0	34,0	41,0	48,0	37,0	44,0	51,0	42,0	51,0	56,0
Sound pressure	dB(A)	27,0	38,0	43,0	26,0	33,0	40,0	29,0	36,0	43,0	34,0	43,0	48,0

Finned pack heat exchanger

Water content main heat exchanger	l	0,5			0,8			1,0			1,0		
-----------------------------------	---	-----	--	--	-----	--	--	-----	--	--	-----	--	--

Diameter hydraulic fittings

Main heat exchanger	Ø	1/2"			3/4"			3/4"			3/4"		
---------------------	---	------	--	--	------	--	--	------	--	--	------	--	--

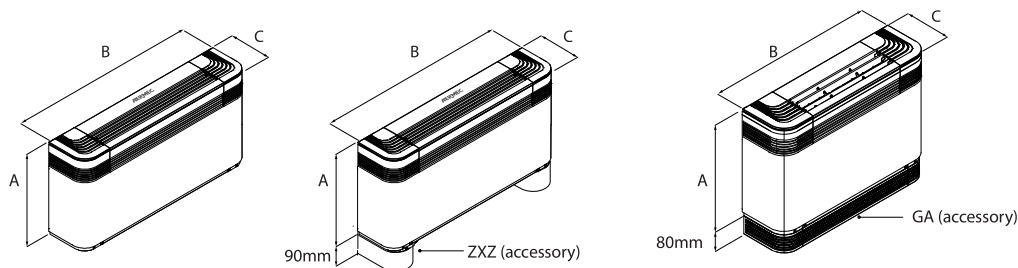
Power supply

Power supply		230V~50Hz											
--------------	--	-----------	--	--	--	--	--	--	--	--	--	--	--

(1) Room air temperature 20 °C d.b.; Water (in/out) 70 °C/60 °C

(2) Room air temperature 20 °C d.b.; Water (in/out) 45 °C/40 °C; EUROVENT

(3) Aermec determines the sound power value on the basis of measurements taken in accordance with standard UNI EN 16583:15, respecting the Eurovent certification.

DIMENSIONS

		FCZ200D	FCZ300D	FCZ400D	FCZ500D
Dimensions and weights					
A	mm	486	486	486	486
B	mm	750	980	1200	1200
C	mm	220	220	220	220
Empty weight	kg	15	17	23	22

Aermec reserves the right to make any modifications deemed necessary.
All data is subject to change without notice. Aermec does not assume responsibility or liability for errors or omissions.

Aermec S.p.A.

Via Roma, 996 - 37040 Bevilacqua (VR) - Italia
Tel. 0442633111 - Telefax 044293577
www.aermec.com

FCZ-H

Fan coil with the photocatalytic device, for universal and floor installation

- **Photocatalytic device**
- **Tested effectiveness against viruses, bacteria and allergens**
- **Active against the SARS-CoV-2 virus, even on surfaces**
- **Backlit touch command (accessory)**



DESCRIPTION

Fan coil with built-in **photocatalytic device**.

Active against the airborne Sars-CoV-2 virus (95%-99% abatement efficacy after 20 minutes of operation tested at the Virostatics laboratory in Alghero).

Active against the SARS-CoV-2 virus, even on surfaces - 84% effectiveness after 12 h (tests carried out in collaboration with the Department of Microbiology of the University of Padua).

Suitable for air conditioning in places requiring optimum hygiene levels, such as:

- Hospitals
- Dentists' surgeries
- Doctors' and vets' surgeries
- Analysis laboratories
- Waiting rooms
- Public premises

They can be installed in any type of 2-pipe system (version for 4-pipe systems available upon request) and in combination with any heat generator, even at low temperatures. Thanks to the availability of several versions and configurations, it's easy to find the right solution for every need.

VERSIONS

- **H** Unit with shell without thermostat - vertical and horizontal installation.
- **HP** Unit without shell and without thermostat - vertical and horizontal installation. Can also be supplied in a configuration equipped with a boosted asynchronous motor (HPO).
- **HT** Unit with shell and thermostat - vertical installation.

FEATURES

Case

Metallic protective cabinet with rustproofing polyester paint RAL 9003. The head with adjustable air distribution grille is made of plastic RAL 7047. When the grille closes, the fan coil automatically switches off.

Ventilation group

Comprised of a dual intake centrifugal fan that is particularly silent, statically and dynamically balanced and directly coupled to the motor shaft. The electric motor is single-phase and asynchronous, mounted on anti-vibration supports, and has a permanently engaged condenser. The scroll that protects the fan can be extracted and inspected, for easy and effective cleaning.

- *Apart from the traditional asynchronous motor, each unit can also be supplied with an inverter (brushless) motor. Refer to the relative FCZI - H datasheet*

Finned pack heat exchanger

With copper pipes and aluminium louvers, the main heat exchanger has female gas water connections on the left side and the manifolds have air vents.

The coil is not suitable for use in corrosive atmosphere or in environments where aluminium may be subject to corrosion.

- *The coil is not reversible during installation but, when ordering, you can choose units with the coil water connections on the right (at no extra charge).*

Air filter

Air filter class **COARSE 25%** for all versions; easy to pull out and clean. Shrouds can be pulled out and inspected for easy and effective cleaning.

PHOTOCATALYTIC DEVICE AT THE HEART OF THE FAN COIL

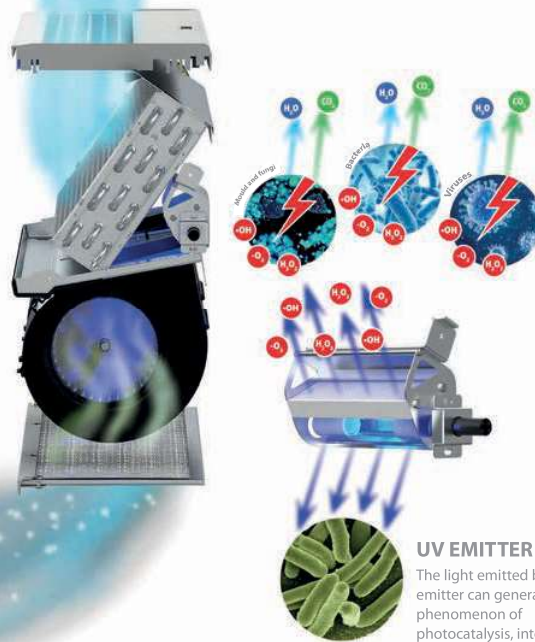


FILTER

The filter holds back dust, ash and "natural allergens" like pollen, spores, etc.

TITANIUM DIOXIDE CATALYS

Titanium dioxide (TiO_2) has a high degree of thermal and chemical stability, isn't toxic for humans and isn't expensive, but at the same time it's easily procurable, widely available, bio-compatible, and highly sensitive to UV light. The catalyst has a honeycomb form and increases the photocatalysis reaction surface, thereby maximising and guaranteeing system efficiency. The interaction of the catalyst with the UV light (photocatalysis) creates and releases highly reactive and oxidising species (H_2O_2 and OH^\cdot) that attack the polluting agents, breaking them down and eliminating them. The result is a powerful biocidal action with the decomposition of the VOC (Volatile Organic Compounds) and the release of harmless substances like CO_2 and H_2O .



UV EMITTER

The light emitted by the emitter can generate the phenomenon of photocatalysis, interacting with the titanium dioxide catalyser (TiO_2). The absorption level is 5,4W.

GUIDE TO SELECTING THE POSSIBLE CONFIGURATIONS

Configuration options FCZ - H

Field	Description
1,2,3	FCZ
4	Size 2, 3, 4, 5, 6, 9
5	main heat exchanger
0	Standard
5	Oversized
6	Secondary heat exchanger
0	Without coil
7	Version
H	Unit with shell without thermostat - vertical and horizontal mount
HP	Unit without shell and thermostat - vertical and horizontal mount
HP0	Unit without shell and thermostat with upgraded motor - vertical and horizontal mount
HPOR	Unit without shell and thermostat with upgraded motor - vertical and horizontal installation - water connections on the right
HPR	Unit without shell and thermostat - vertical and horizontal installation - water connections on the right
HR	Unit with shell without thermostat - vertical and horizontal installation - water connections on the right
HT	Unit with shell with thermostat - vertical mount
HTR	Unit with shell with thermostat - vertical mount - water connections on the right

ACCESSORIES

Control panels and dedicated accessories - FCZ-H

AER503IR: Flush-mounting thermostat with backlit display, capacitive keypad and infrared receiver, for controlling both brushless fan coils and those

with an asynchronous motor. In 2-pipe systems, the thermostat can control standard fan coils or those equipped with an electric heater, with air puri-

fying devices (Cold Plasma and germicidal lamp), with radiant plate or with FCZ-D twin delivery (Dualjet). In addition, it can control systems with radiant panels or mixed (fan coil and radiant floor) systems. Being equipped with an infrared receiver, it can, in turn, be controlled by the VMF-IR remote control.

PRO503: Wall box for AER503IR and VMF-E4 thermostats.

SA5: air probe kit (L = 15 m) with probe-locking cable grommet.

SA503: Wall-mountable ambient sensor, compatible with AER503IR.

SIT3: Thermostat Interface Card allowing the creation of a network of fan coils (max. 10) commanded by a central control panel (selector or thermostat). Commands the 3 fan speeds and must be installed on each fan coil within the network; receives the commands from the selector or the SIT5 card. In case you decide to install Aermec thermostats and current absorbed by the unit exceeds 0.7 A, you're obliged to include SIT3 accessory.

SIT5: Thermostat Interface Card allowing the creation of a network of fan coils (max. 10) commanded by a central control panel. Commands the 3 fan speeds and up to 2 valves (four pipe systems); sends the thermostat's commands to the fan coil network.

SW3: Water probe (L = 2.5 m) for controlling the minimum and maximum and to allow automatic seasonal switching for electronic thermostats fitted with water side changeover.

SW5: water probe kit (L = 15m) with probe-holder connection point, fixing clip and probe-holder from heat exchanger.

TX: Wall-mounting thermostat for controlling either brushless fan coils or those with asynchronous motors for 2/4 pipe. In 2-pipe systems, the thermostat can control standard fan coils or those equipped with an electric heater, with air purifying devices, radiant plate or FCZ-D twin delivery (Dualjet).

TXB: Wall-mounting thermostat for controlling either brushless fan coils or those with asynchronous motors for 2/4 pipe. In 2-pipe systems, the thermostat can control standard fan coils or those equipped with an electric heater, with air purifying devices, radiant plate or FCZ-D twin delivery (Dualjet).

VMF system

- *The fan coil can also be teamed up with the VMF system; please contact headquarters about compatibility with the various system components.*

ACCESSORIES COMPATIBILITY

Control panels and dedicated accessories - FCZ-H

Model	Ver	200	250	300	350	400	450	500	550	600	650	900	950
AER503IR (1)	H,HP	*	*	*	*	*	*	*	*	*	*	*	*
PRO503	H,HP	*	*	*	*	*	*	*	*	*	*	*	*
SA5 (2)	H,HP,HT	*	*	*	*	*	*	*	*	*	*	*	*
SA503 (3)	H,HP	*	*	*	*	*	*	*	*	*	*	*	*
SIT3 (4)	H,HP,HT	*	*	*	*	*	*	*	*	*	*	*	*
SIT5 (5)	H,HP,HT	*	*	*	*	*	*	*	*	*	*	*	*
SW3 (2)	H,HP,HT	*	*	*	*	*	*	*	*	*	*	*	*
SW5 (2)	H,HP,HT	*	*	*	*	*	*	*	*	*	*	*	*
TX (6)	H,HP	*	*	*	*	*	*	*	*	*	*	*	*
TXB (7)	H,HP	*	*	*	*	*	*	*	*	*	*	*	*

(1) Wall-mount installation.

(2) Probe for AER503IR-TX thermostats, if fitted.

(3) Thermostat probe for AER503IR if available.

(4) Cards for AER503IR-TX thermostats, if present, to be installed if the unit absorption exceeds 0,7 Ampere.

(5) Probe for AER503IR-TX thermostats, if fitted.

(6) Wall-mounting. If the unit intake exceeds 0.7A, or several units need to be managed with a single thermostat, board SIT3 and/or SIT5 is required.

(7) Installation on the fan coil.

Common accessories

3 way valve kit

Model	Ver	200	250	300	350	400	450	500	550	600	650	900	950
VCZ41 (1)	H,HP,HT	*	*										
VCZ4124 (2)	H,HP,HT	*	*										
VCZ42 (1)	H,HP,HT			*	*	*	*	*	*	*	*	*	*
VCZ4224 (2)	H,HP,HT			*	*	*	*	*	*	*	*	*	*
VCZ43 (1)	H,HP,HT											*	*
VCZ4324 (2)	H,HP,HT											*	*

(1) 230V~50Hz

(2) 24V

2 way valve kit

Model	Ver	200	250	300	350	400	450	500	550	600	650	900	950
VCZD1 (1)	H,HP,HT	*	*										
VCZD124 (2)	H,HP,HT	*	*										

Common accessories

VCZ: 3-way motorised valve kit for the main coil. The kit is made up of a valve with its insulating shell, actuator and relative hydraulic fittings. It can be installed on fan coils with both right and left connections. If the valve is combined with the BCZ5 or BCZ6 condensate drain pan, to ensure a better housing it is possible to remove the insulating shell.

VCZD: 2-way motorised valve kit. The kit consists of a valve, an actuator and the relative pipe fittings. It can be installed on fan coils with both right and left connections.

VCFD: Motorized 2-way valve kit without insulating shell, can be installed on the main or secondary battery or a battery that is only warm. The kit is made up of a valve, actuator and relative hydraulic fittings. It can be installed on fan coils with connections on the right and on the left.

VCZF1 - 42 - 43 - for main heat exchanger: 3-way motorised valve kit for the main coil. The kit is made up of a valve with its insulating shell, actuator and relative hydraulic fittings. It can be installed on fan coils with both right and left connections. If the valve is combined with the BCZ5 or BCZ6 condensate drain pan, to ensure a better housing it is possible to remove the insulating shell.

VJP: Control and balancing combination valve for 2 and 4 pipe systems to install outside the unit.

AMP: Wall mounting kit

DSC: Condensate drainage device.

BCZ: Condensate drip. If the valve is paired with the BCZ5 or BCZ6 condensate drip tray, the insulating shell can be removed to ensure better housing.

PCZ: Metal panel for the unit rear closing. SPCZ brackets are necessary to fix floor standing fan coils.

GA: Lower intake grille for encapsulated fan coils. Can also be used in wall-mounted or floor installations, the FIKIT accessory is needed only in the case of floor installation.

FIKIT: Metal supports for vertical installation of the GA grille.

ZXZ: Pair of stylish and structural feet

BC: Condensate drip.

Ventilcassaforma: Galvanised sheet metal template. It makes it possible to obtain directly in the wall a space for housing the fan coil.

SPCZ: Brackets to fix the fan coil to the floor.

Model	Ver	200	250	300	350	400	450	500	550	600	650	900	950
VCZD2 (1)	H,HP,HT			*	*	*	*	*	*	*	*		
VCZD224 (2)	H,HP,HT			*	*	*	*	*	*	*	*		
VCZD3 (1)	H,HP,HT											*	*
VCZD324 (2)	H,HP,HT											*	*

(1) 230V~50Hz
(2) 24V

Combined Adjustment and Balancing Valve Kit

Model	Ver	200	250	300	350	400	450	500	550	600	650	900	950
VJP060 (1)	H,HP,HT	*	*	*	*								
VJP060M (2)	H,HP,HT	*	*	*	*								
VJP090 (1)	H,HP,HT					*	*	*	*	*	*		
VJP090M (2)	H,HP,HT					*	*	*	*	*	*		
VJP150 (1)	H,HP,HT											*	*
VJP150M (2)	H,HP,HT											*	*

(1) 230V~50Hz
(2) 24V

Wall mounting kit

Ver	200	250	300	350	400	450	500	550	600	650	900	950
H,HP	AMP20	AMP20	AMP20	AMP20	AMP20	AMP20	AMP20	AMP20	AMP20	AMP20	AMP20	AMP20

Condensate drainage

Model	Ver	200	250	300	350	400	450	500	550	600	650	900	950
DSCZ4 (1)	HP	*	*	*	*	*	*	*	*	*	*	*	*

(1) DSCZ4 due to space problems inside the unit, the VCZ1-2-3-4 X4L/R valves cannot be mounted together with the amp/AMPZ accessories, with all the condensate collection trays. With the VMF-E19/E19I thermostats, please contact the head office.

Condensate drip

Ver	200	250	300	350	400	450	500	550	600	650	900	950	
H,HP,HT	BCZ4 (1), BCZ5 (2)	BCZ4 (1), BCZ5 (2)	BCZ4 (1), BCZ5 (2)	BCZ4 (1), BCZ5 (2)	BCZ4 (1), BCZ5 (2)	BCZ4 (1), BCZ5 (2)	BCZ4 (1), BCZ5 (2)	BCZ4 (1), BCZ5 (2)	BCZ4 (1), BCZ5 (2)	BCZ4 (1), BCZ5 (2)	BCZ4 (1), BCZ5 (2)	BCZ6 (2)	BCZ6 (2)

(1) For vertical installation.
(2) For horizontal installation.

Ver	200	250	300	350	400	450	500	550	600	650	900	950
HP	BC8 (1)	BC8 (1)	BC8 (1)	BC8 (1)	BC8 (1)	BC8 (1)	BC8 (1)	BC8 (1)	BC8 (1)	BC8 (1)	BC9 (1)	BC9 (1)

(1) For horizontal installation.

Panel closing the rear of the unit

Ver	200	250	300	350	400	450	500	550	600	650	900	950
H,HT	PCZ200	PCZ200	PCZ300	PCZ300	PCZ500	PCZ500	PCZ500	PCZ500	PCZ800	PCZ800	PCZ1000	PCZ1000

Grille also applicable for floor installation

Ver	200	250	300	350	400	450	500	550	600	650	900	950
H,HP,HT	GA200	GA200	GA300	GA300	GA500	GA500	GA500	GA500	GA800	GA800	GA800	GA800

Metal supports for GA grille

Ver	200	250	300	350	400	450	500	550	600	650	900	950
H,HP,HT	FIKIT200	FIKIT200	FIKIT300	FIKIT300	FIKIT500	FIKIT500	FIKIT500	FIKIT500	FIKIT800	FIKIT800	FIKIT800	FIKIT800

Ventilcassaforma

Ver	200	250	300	350	400	450	500	550	600	650	900	950
HP	CHF22	CHF22	CHF32	CHF32	CHF42	CHF42	CHF42	CHF42	CHF62	CHF62	CHF62	CHF62

Brackets to fix the fan coil to the floor.

Ver	200	250	300	350	400	450	500	550	600	650	900	950
H,HT	SPCZ	SPCZ	SPCZ	SPCZ	SPCZ	SPCZ	SPCZ	SPCZ	SPCZ	SPCZ	SPCZ	SPCZ

Pair of stylish structural feet

Ver	200	250	300	350	400	450	500	550	600	650	900	950
H,HP,HT	ZXZ	ZXZ	ZXZ	ZXZ	ZXZ	ZXZ	ZXZ	ZXZ	ZXZ	ZXZ	ZXZ	ZXZ

PERFORMANCE SPECIFICATIONS

2-pipe

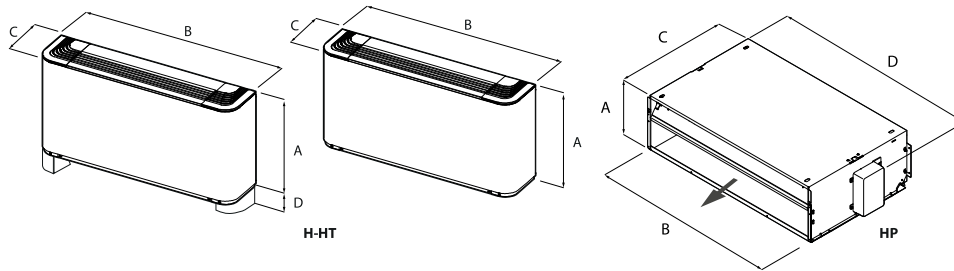
	FCZ200H			FCZ250H			FCZ300H			FCZ350H			FCZ400H			FCZ450H					
	1	2	3	1	2	3	1	2	3	1	2	3	1	2	3	1	2	3			
	L	M	H	L	M	H	L	M	H	L	M	H	L	M	H	L	M	H			
Heating performance 70 °C / 60 °C (1)																					
Heating capacity	kW			2,02	2,95	3,70	2,20	3,18	4,05	3,47	4,46	5,50	3,77	4,92	6,15	4,32	5,74	7,15	4,57	6,29	7,82
Water flow rate system side	l/h			177	258	324	193	278	355	304	391	482	330	431	539	379	503	627	400	551	685
Pressure drop system side	kPa			6	12	18	7	15	23	7	12	18	8	14	20	9	16	24	6	11	16
Heating performance 45 °C / 40 °C (2)																					
Heating capacity	kW			1,00	1,46	1,84	1,09	1,58	2,01	1,72	2,21	2,73	1,87	2,44	3,06	2,14	2,85	3,55	2,27	3,12	3,88
Water flow rate system side	l/h			174	254	319	190	274	350	299	385	475	325	425	531	373	495	617	394	543	675
Pressure drop system side	kPa			6	12	18	8	15	22	8	12	18	8	14	20	10	16	24	6	11	16
Cooling performance 7 °C / 12 °C																					
Cooling capacity	kW			0,89	1,28	1,60	1,06	1,55	1,94	1,68	2,17	2,65	1,89	2,46	3,02	2,20	2,92	3,60	2,41	3,21	4,03
Sensible cooling capacity	kW			0,71	1,05	1,33	0,79	1,20	1,52	1,26	1,65	2,04	1,33	1,76	2,18	1,59	2,14	2,67	1,69	2,30	2,90
Water flow rate system side	l/h			153	221	275	182	267	334	288	374	456	350	460	560	379	503	619	414	552	694
Pressure drop system side	kPa			7	13	18	8	17	25	8	13	18	11	18	25	10	17	24	9	15	22
Fan																					
Type	type			Centrifugal			Centrifugal			Centrifugal			Centrifugal			Centrifugal					
Fan motor	type			Asynchronous			Asynchronous			Asynchronous			Asynchronous			Asynchronous					
Number	no.			1			1			2			2			2					
Air flow rate	m ³ /h			140	220	290	140	220	290	260	350	450	260	350	450	330	460	600	330	460	600
Input power	W			25	29	33	25	29	33	25	33	44	25	33	44	30	43	57	30	43	57
Electrical wiring				V1	V2	V3	V1	V2	V3	V1	V2	V3	V1	V2	V3	V1	V2	V3	V1	V2	V3
Diameter hydraulic fittings																					
Type	type			Gas - F			Gas - F			Gas - F			Gas - F			Gas - F					
Main heat exchanger	Ø			1/2"			1/2"			3/4"			3/4"			3/4"					
Fan coil sound data (3)																					
Sound power level	dB(A)			35,0	46,0	51,0	35,0	46,0	51,0	34,0	41,0	48,0	34,0	41,0	48,0	37,0	44,0	51,0	37,0	44,0	51,0
Sound pressure	dB(A)			27,0	38,0	43,0	27,0	38,0	43,0	26,0	33,0	40,0	26,0	33,0	40,0	29,0	36,0	43,0	29,0	36,0	43,0
Power supply																					
Power supply				230V~50Hz			230V~50Hz			230V~50Hz			230V~50Hz			230V~50Hz					
FCZ500H, FCZ550H, FCZ600H, FCZ650H, FCZ900H, FCZ950H																					
	FCZ500H			FCZ550H			FCZ600H			FCZ650H			FCZ900H			FCZ950H					
	1	2	3	1	2	3	1	2	3	1	2	3	1	2	3	1	2	3			
	L	M	H	L	M	H	L	M	H	L	M	H	L	M	H	L	M	H			
Heating performance 70 °C / 60 °C (1)																					
Heating capacity	kW			5,27	7,31	8,50	5,82	8,34	9,75	6,50	8,10	10,00	7,19	9,15	11,50	10,77	13,35	15,14	11,20	14,42	17,10
Water flow rate system side	l/h			462	641	745	510	731	855	570	710	877	631	802	1008	945	1171	1328	982	1264	1500
Pressure drop system side	kPa			12	21	28	10	20	26	12	18	26	14	21	31	12	17	22	16	25	33
Heating performance 45 °C / 40 °C (2)																					
Heating capacity	kW			2,62	3,63	4,22	2,89	4,14	4,85	3,32	4,03	4,97	3,57	4,55	5,72	5,35	6,64	7,53	5,57	7,17	8,50
Water flow rate system side	l/h			455	631	734	502	720	842	561	699	863	621	790	993	930	1152	1307	967	1245	1476
Pressure drop system side	kPa			12	21	28	10	20	26	12	18	26	14	20	31	12	17	22	15	24	33
Cooling performance 7 °C / 12 °C																					
Cooling capacity	kW			2,68	3,69	4,25	2,91	4,13	4,79	3,22	3,90	4,65	3,95	4,80	5,67	4,29	5,00	6,91	5,77	7,32	8,60
Sensible cooling capacity	kW			1,94	2,73	3,18	2,07	2,98	3,49	2,56	3,17	3,92	2,78	3,43	4,12	2,97	3,78	5,68	3,80	4,87	5,78
Water flow rate system side	l/h			460	634	731	501	711	824	554	671	800	595	825	975	738	860	1189	992	1259	1479
Pressure drop system side	kPa			13	23	29	12	22	28	14	19	26	15	21	28	10	13	22	15	23	30
Fan																					
Type	type			Centrifugal			Centrifugal			Centrifugal			Centrifugal			Centrifugal					
Fan motor	type			Asynchronous			Asynchronous			Asynchronous			Asynchronous			Asynchronous					
Number	no.			2			2			3			3			3					
Air flow rate	m ³ /h			400	600	720	400	600	720	520	720	900	520	720	900	700	930	1140	700	930	1140
Input power	W			38	52	76	38	52	76	38	60	91	38	60	91	59	80	106	59	80	106
Electrical wiring				V1	V2	V3	V1	V2	V3	V1	V2	V3	V1	V2	V3	V1	V2	V3	V1	V2	V3
Diameter hydraulic fittings																					
Type	type			Gas - F			Gas - F			Gas - F			Gas - F			Gas - F					
Main heat exchanger	Ø			3/4"			3/4"			3/4"			3/4"			3/4"					
Fan coil sound data (3)																					
Sound power level	dB(A)			42,0	51,0	56,0	42,0	51,0	56,0	42,0	51,0	57,0	42,0	51,0	57,0	51,0	57,0	62,0	51,0	57,0	61,0
Sound pressure	dB(A)			34,0	43,0	48,0	34,0	43,0	48,0	34,0	43,0	49,0	34,0	43,0	49,0	43,0	49,0	54,0	43,0	49,0	53,0
Power supply																					
Power supply				230V~50Hz			230V~50Hz			230V~50Hz			230V~50Hz			230V~50Hz					

(1) Room air temperature 20 °C d.b.; Water (in/out) 70 °C/60 °C

(2) Room air temperature 20 °C d.b.; Water (in/out) 45 °C/40 °C; EUROVENT

(3) Aermec determines the sound power value on the basis of measurements taken in accordance with standard UNI EN 16583:15, respecting the Eurovent certification.

DIMENSIONS



Size		200	250	300	350	400	450	500	550	600	650	900	950	
Dimensions and weights														
A	H,HT	mm	486	-	486	-	486	-	486	-	486	-	591	591
	HP	mm	216	-	216	-	216	-	216	-	216	-	216	216
B	H,HT	mm	750	-	980	-	1200	-	1200	-	1320	-	1320	1320
	HP	mm	562	-	793	-	1013	-	1013	-	1147	-	1147	1147
C	H,HT	mm	220	-	220	-	220	-	220	-	220	-	220	220
	HP	mm	453	-	453	-	453	-	453	-	453	-	558	558
D	H,HT	mm	90	-	90	-	90	-	90	-	90	-	90	90
	HP	mm	522	-	753	-	973	-	973	-	1122	-	1122	1122
Empty weight	H,HT	kg	15	-	17	-	23	-	22	-	29	-	34	34
	HP	kg	12	-	14	-	20	-	23	-	29	-	32	32

Aermec reserves the right to make any modifications deemed necessary.
All data is subject to change without notice. Aermec does not assume responsibility or liability for errors or omissions.

Aermec S.p.A.
Via Roma, 996 - 37040 Bevilacqua (VR) - Italia
Tel. 0442633111 - Telefax 044293577
www.aermec.com

FCZ P - PO

Fan coil unit for ducted installations

Cooling capacity 0,65 ÷ 7,62 kW
 Heating capacity 1,45 ÷ 17,02 kW

- Very quiet
- Suitable for duct-type installations too
- Total comfort: reduced variations in temperature and relative humidity
- Vertical and horizontal installation



DESCRIPTION

fan coil can be installed in any 2/4 pipe system and operates with any heat generator even at low temperatures, and thanks to varied versions and settings, it is easy to pick the ideal solution for any need.

FEATURES

Ventilation group

Consisting of double suction centrifugal fans that are particularly silent, statically and dynamically balanced, and directly coupled with the motor shaft.

The motor is wired for single phase and has three speeds, with capacitor. The motor is fitted on sealed for life bearings and is secured on anti-vibration and self-lubricating mountings.

Extractable shrouds for easy, effective cleaning

Heat exchanger coil

With copper pipes and aluminium louvers, the standard or oversized heat exchanger and the possible secondary heat exchanger have female gas water connections on the left side and the manifolds have air vents.

The coil is not suitable for use in corrosive atmosphere or in environments where aluminium may be subject to corrosion.

Reversibility of the water connections during installation only for units with a standard or boosted main coil, or standard with BV accessory. Not reversible in all other configurations. In any case, units with the coil water connections on the right are available at the time of ordering.

Condensate drip

Provided standard in plastic and fixed to the interior structure; with external condensate discharge.

Air filter

Air filter class Coarse 25% for all versions easy to pull out and clean.

In the PPC version, air purification is guaranteed by the Cold Plasma purifier.

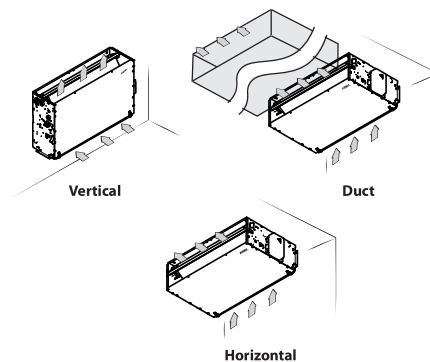
GUIDE TO SELECTING THE POSSIBLE CONFIGURATIONS

Field	Description
1,2,3	FCZ

The purifier is able to reduce pollutants, decomposing their molecules using electrical charges, causing the water molecules in the air to split into positive and negative ions. These ions neutralise the molecules in the gaseous pollutants, obtaining products normally present in clean air. The device is able to eliminate 90% of the bacteria. The result is clean, ionized air, free of foul odours.

VERSIONS

Flush-mounting and duct-type versions



FCZ_P

— Flush-mounting

FCZ_PPC

— Flush-mounting with Cold Plasma purifier

FCZ_PO

— Flush-mounting, duct-type

— With useful head.

Field	Description
4	Size 1, 2, 3, 4, 5, 6, 7, 8, 9, 10

PERFORMANCE DATA FOR UNITS WITHOUT HEAD (EUROVENT CERTIFICATE FC-H)

2-pipe

	FCZ100P			FCZ150P			FCZ200P			FCZ250P			FCZ300P			FCZ350P			FCZ400P			FCZ450P			FCZ500P			FCZ550P								
	1	2	3	1	2	3	1	2	3	1	2	3	1	2	3	1	2	3	1	2	3	1	2	3	1	2	3	1	2	3	1	2	3			
	L	M	H	L	M	H	L	M	H	L	M	H	L	M	H	L	M	H	L	M	H	L	M	H	L	M	H	L	M	H	L	M	H	L	M	H

Heating performance 70 °C / 60 °C (1)

Heating capacity	kW	1,45	2,00	2,40	1,55	2,19	2,65	2,02	2,95	3,70	2,20	3,18	4,05	3,47	4,46	5,50	3,77	4,92	6,15	4,32	5,74	7,15	4,57	6,29	7,82	5,27	7,31	8,50	5,82	8,34	9,75
Water flow rate system side	l/h	125	172	206	136	192	232	177	258	324	193	278	355	304	391	482	330	431	539	379	503	627	400	551	685	462	641	745	510	731	855
Pressure drop system side	kPa	4	7	9	5	9	12	6	12	18	7	15	23	7	12	18	8	14	20	9	16	24	6	11	16	12	21	28	10	20	26

Heating performance 45 °C / 40 °C (2)

Heating capacity	kW	0,72	0,99	1,19	0,77	1,09	1,31	1,00	1,46	1,84	1,09	1,58	2,01	1,72	2,21	2,73	1,87	2,44	3,06	2,14	2,85	3,55	2,27	3,12	3,88	2,62	3,63	4,22	2,89	4,14	4,85
Water flow rate system side	l/h	126	173	207	134	189	229	174	254	319	190	274	350	299	385	475	325	425	531	373	495	617	394	543	675	455	631	734	502	720	842
Pressure drop system side	kPa	4	7	10	5	9	12	6	12	18	8	15	22	8	12	18	8	14	20	10	16	24	6	11	16	12	21	28	10	20	26

Cooling performance 7 °C / 12 °C

Cooling capacity	kW	0,65	0,84	1,00	0,65	0,84	1,00	0,89	1,28	1,60	1,06	1,55	1,94	1,68	2,17	2,65	1,89	2,46	3,02	2,20	2,92	3,60	2,41	3,21	4,03	2,68	3,69	4,25	2,91	4,13	4,79
Sensible cooling capacity	kW	0,51	0,69	0,83	0,51	0,69	0,83	0,71	1,05	1,33	0,79	1,20	1,52	1,26	1,65	2,04	1,33	1,76	2,18	1,59	2,14	2,67	1,69	2,30	2,90	1,94	2,73	3,18	2,07	2,98	3,49
Water flow rate system side	l/h	112	144	172	112	144	172	153	221	275	182	267	334	288	374	456	350	460	560	379	503	619	414	552	694	460	634	731	501	711	824
Pressure drop system side	kPa	4	6	8	4	6	8	6	12	18	8	17	25	8	13	18	11	18	25	10	16	24	9	15	22	13	22	29	12	22	28

Fan

Type	type	Centrifugal																																
Fan motor	type	Asynchronous																																
Number	no.	1			1			1			1			2			2			2			2			2			2					
Air flow rate	m³/h	110	160	200	110	160	200	140	220	290	140	220	290	260	350	450	260	350	450	330	460	600	330	460	600	400	600	720	400	600	720			
Input power	W	19	29	35	19	29	35	25	29	33	25	29	33	25	33	44	25	33	44	30	43	57	30	43	57	38	52	76	38	52	76			
Electrical wiring		V1	V2	V3	V1	V2	V3	V1	V2	V3	V1	V2	V3	V1	V2	V3	V1	V2	V3	V1	V2	V3	V1	V2	V3	V1	V2	V3	V1	V2	V3	V1	V2	V3

Fan coil sound data (3)

Sound power level	dB(A)	31,0	38,0	45,0	31,0	38,0	45,0	35,0	46,0	51,0	35,0	46,0	51,0	34,0	41,0	48,0	34,0	41,0	48,0	37,0	44,0	51,0	37,0	44,0	51,0	42,0	51,0	56,0	42,0	51,0	56,0
Sound pressure	dB(A)	23,0	30,0	37,0	23,0	30,0	37,0	27,0	38,0	43,0	27,0	38,0	43,0	26,0	33,0	40,0	26,0	33,0	40,0	29,0	36,0	43,0	29,0	36,0	43,0	34,0	43,0	48,0	34,0	43,0	48,0

Finned pack heat exchanger

Water content main heat exchanger	l	0,4	0,5	0,5	0,7	0,8	1,0	1,0	1,4	1,0	1,4
-----------------------------------	---	-----	-----	-----	-----	-----	-----	-----	-----	-----	-----

Diameter hydraulic fittings

Main heat exchanger	∅	1/2"	1/2"	1/2"	1/2"	3/4"	3/4"	3/4"	3/4"	3/4"	3/4"
---------------------	---	------	------	------	------	------	------	------	------	------	------

	FCZ600P			FCZ650P			FCZ700P			FCZ750P			FCZ800P			FCZ850P			FCZ900P			FCZ950P			FCZ1000P								
	1	2	3	1	2	3	1	2	3	1	2	3	1	2	3	1	2	3	1	2	3	1	2	3	1	2	3	1	2	3			
	L	M	H	L	M	H	L	M	H	L	M	H	L	M	H	L	M	H	L	M	H	L	M	H	L	M	H	L	M	H	L	M	H

Heating performance 70 °C / 60 °C (1)

Heating capacity	kW	6,50	8,10	10,00	7,19	9,15	11,50	8,10	9,80	11,00	9,10	11,30	12,50	9,80	10,80	12,00	11,30	12,35	14,00	10,77	13,35	15,14	11,20	14,42	17,10	12,53	15,24	17,02
Water flow rate system side	l/h	570	710	877	631	802	1008	710	860	964	798	991	1096	859	947	1052	991	1083	1227	945	1171	1328	982	1264	1500	1101	1337	1493
Pressure drop system side	kPa	12	18	26	14	21	31	17	24	29	10	15	18	22	27	32	17	20	25	12	17	22	16	24	33	22	32	38

Heating performance 45 °C / 40 °C (2)

Heating capacity	kW	3,32	4,03	4,97	3,57	4,55	5,72	4,03	4,87	5,47	4,52	5,62	6,21	4,87	5,37	5,97	5,62	6,14	6,96	5,35	6,64	7,53	5,57	7,17	8,50	6,24	7,58	8,46
Water flow rate system side	l/h	561	699	863	621	790	993	699	846	950	786	975	1079	846	932	1036	975	1066	1209	930	1152	1307	967	1245	1476	1084	1316	1469
Pressure drop system side	kPa	12	18	26	14	20	31	16	24	29	10	14	18	22	26	32	17	20	25	12	17	22	15	24	33	22	31	38

Cooling performance 7 °C / 12 °C

Cooling capacity	kW	3,22	3,90	4,65	3,95	4,80	5,67	3,92	4,89	5,50	4,27	5,34	6,14	4,84	5,66	6,10	5,26	6,29	6,91	4,29	5,00	6,91	5,77	7,32	8,60	5,69	6,88	7,62
Sensible cooling capacity	kW	2,56	3,17	3,92	2,78	3,43	4,12	2,99	3,76	4,30	3,20	4,05	4,72	3,72	4,42	4,83	4,00	4,83	5,36	2,97	3,78	5,68	3,80	4,87	5,78	4,42	5,34	5,53
Water flow rate system side	l/h	554	671	800	714	825	975	675	841	946	734	918	1056	833	974	1049	904	1082	1189	738	860	1189	992	1259	1479	979	1183	1311
Pressure drop system side	kPa	14	19	26	16	21	28	16	24	30	10	14	18	20	26	30	14	20	23	10	12	22	15	22	30	22	31	36

Fan

Type	type	Centrifugal																													
Fan motor	type	Asynchronous																													
Number	no.	3			3			3			3			3			3			3			3			3					
Air flow rate	m³/h	520	720	920	520	720	920	700	930	1140	700	930	1140	900	1120	1300	900	1120	1300	700	930	1140	700	930	1140	900	1120	1300	900	1120	1300
Input power	W	38	60	91	38	60	91	59	80	106	59	80	106	80	100	131	80	100	131	59	80	106	59	80	106	80	100	131	80	100	131
Electrical wiring		V1	V2	V3	V1	V2	V3	V1	V2	V3	V1	V2	V3	V1	V2	V3	V1	V2	V3	V1	V2	V3	V1	V2	V3	V1	V2	V3	V1	V2	V3

Fan coil sound data (3)

Sound power level	dB(A)	42,0	51,0	57,0	42,0	51,0	57,0	50,0	57,0	62,0	50,0	57,0	62,0	56,0	61,0	66,0	56,0	61,0	66,0	51,0	57,0	62,0	51,0	57,0	62,0	56,0	61,0	66,0	56,0	61,0	66,0
Sound pressure	dB(A)	34,0	43,0	49,0	34,0	43,0	49,0	42,0	49,0	54,0	42,0	49,0	54,0	48,0	53,0	58,0	48,0	53,0	58,0	43,0	49,0	54,0	43,0	49,0	54,0	48,0	53,0	58,0	48,0	53,0	58,0

Finned pack heat exchanger

Water content main heat exchanger	l	1,2	1,6	1,2	1,6	1,2	1,6	1,8	2,3	1,8
-----------------------------------	---	-----	-----	-----	-----	-----	-----	-----	-----	-----

Diameter hydraulic fittings

Main heat exchanger	∅	3/4"										
---------------------	---	------	--	--	--	--	--	--	--	--	--	--

(1) Room air temperature 20 °C d.b.; Water (in/out) 70 °C/60 °C

(2) Room air temperature 20 °C d.b.; Water (in/out) 45 °C/40 °C; EUROVENT

(3) Aermec determines the sound power value on the basis of measurements taken in accordance with standard UNI EN 16583:15, respecting the Eurovent certification.

PERFORMANCE DATA FOR UNITS WITH HEAD (EUROVENT CERTIFICATE FCP-H)

2-pipe

	FCZ200PO			FCZ250PO			FCZ300PO			FCZ350PO			FCZ400PO			FCZ450PO			FCZ500PO			FCZ550PO					
	2	4	6	2	4	6	1	4	6	1	4	6	1	3	6	1	3	6	1	5	6	1	5	6			
	L	M	H	L	M	H	L	M	H	L	M	H	L	M	H	L	M	H	L	M	H	L	M	H			
Heating performance 70 °C / 60 °C (1)																											
Heating capacity	kW			2,11	3,00	3,32	2,29	3,24	3,60	3,50	5,03	5,45	3,80	5,59	6,10	4,49	6,02	6,74	4,79	6,62	7,40	5,27	7,22	7,59	5,81	8,25	8,67
Water flow rate system side	l/h			182	258	285	197	279	310	301	433	469	327	481	524	386	517	580	412	569	637	453	621	652	500	709	746
Pressure drop system side	kPa			7	12	15	9	16	19	8	15	18	9	18	21	11	18	22	7	12	15	12	21	23	10	19	21
Heating performance 45 °C / 40 °C (2)																											
Heating capacity	kW			1,05	1,49	1,65	1,14	1,61	1,79	1,74	2,50	2,71	1,89	2,78	3,03	2,23	2,99	3,35	2,38	3,29	3,68	2,62	3,59	3,77	2,89	4,10	4,31
Water flow rate system side	l/h			160	224	248	196	277	308	299	430	466	325	478	521	383	514	576	409	566	633	451	617	648	497	705	741
Pressure drop system side	kPa			7	12	15	9	16	19	8	15	18	9	18	21	11	18	22	7	12	15	12	21	23	10	19	21
Cooling performance 7 °C / 12 °C																											
Cooling capacity	kW			0,93	1,30	1,44	1,11	1,59	1,74	1,70	2,40	2,63	1,91	2,77	3,00	2,29	3,06	3,41	2,51	3,37	3,79	2,68	3,65	3,82	2,91	4,08	4,28
Sensible cooling capacity	kW			0,74	1,14	1,18	0,83	1,23	1,36	1,27	1,86	2,03	1,34	1,99	2,16	1,66	2,24	2,52	1,76	2,42	2,73	1,94	2,70	2,83	2,07	2,94	3,09
Water flow rate system side	l/h			160	224	248	191	273	299	292	413	452	328	476	516	394	526	586	432	580	652	461	628	657	500	702	736
Pressure drop system side	kPa			8	13	15	9	18	21	8	16	18	11	22	25	11	18	22	11	16	20	13	22	24	12	21	23
Fan																											
Type	type			Centrifugal																							
Fan motor	type			Asynchronous																							
Number	no.			1			1			2			2			2			2			2					
Air flow rate	m ³ /h			148	226	254	148	226	254	263	404	446	263	404	446	346	487	559	346	487	559	400	592	627	400	592	627
High static pressure	Pa			21	50	63	21	50	63	21	50	61	21	50	61	25	50	66	25	50	66	22	50	56	22	50	56
Input power	W			28	41	74	28	41	74	38	55	78	38	55	78	53	63	102	53	63	102	49	80	627	49	80	627
Electrical wiring	V2 V4 V6			V2	V4	V6	V1	V4	V6	V1	V4	V6	V1	V3	V6	V1	V3	V6	V1	V3	V6	V1	V5	V6	V1	V5	V6
Duct type fan coil sound data (3)																											
Sound power level (inlet + radiated)	dB(A)			41,0	56,0	59,0	41,0	56,0	59,0	39,0	51,0	54,0	39,0	51,0	54,0	44,0	54,0	55,0	44,0	54,0	55,0	45,0	55,0	57,0	45,0	55,0	57,0
Sound power level (outlet)	dB(A)			37,0	52,0	55,0	37,0	52,0	55,0	35,0	47,0	49,0	35,0	47,0	49,0	40,0	50,0	52,0	40,0	50,0	52,0	41,0	51,0	53,0	41,0	51,0	53,0
Finned pack heat exchanger																											
Water content main heat exchanger	l			0,5			0,7			0,8			1,0			1,0			1,4			1,0			1,4		
Diameter hydraulic fittings																											
Main heat exchanger	Ø			1/2"			1/2"			3/4"			3/4"			3/4"			3/4"			3/4"			3/4"		

	FCZ600PO			FCZ650PO			FCZ700PO			FCZ750PO			FCZ900PO			FCZ950PO					
	1	4	7	1	4	7	2	5	7	2	5	7	2	5	7	2	5	7			
	L	M	H	L	M	H	L	M	H	L	M	H	L	M	H	L	M	H			
Heating performance 70 °C / 60 °C (1)																					
Heating capacity	kW			6,86	8,55	10,00	7,63	9,72	11,51	8,77	10,10	10,52	10,02	11,65	12,09	11,81	13,80	14,45	12,43	15,07	16,00
Water flow rate system side	l/h			590	735	860	656	836	990	754	868	905	862	1002	1040	1016	1187	1242	1069	1296	1375
Pressure drop system side	kPa			12	20	26	15	23	31	19	25	27	12	15	16	14	18	20	19	26	29
Heating performance 45 °C / 40 °C (2)																					
Heating capacity	kW			3,41	4,25	4,97	3,79	4,83	5,72	4,36	5,02	5,23	4,98	5,79	6,01	5,87	6,86	7,18	6,18	7,49	7,95
Water flow rate system side	l/h			586	731	855	652	831	984	750	863	899	856	996	1034	1009	1180	1235	1063	1288	1367
Pressure drop system side	kPa			13	20	26	15	23	31	19	25	27	12	15	16	14	18	20	19	26	29
Cooling performance 7 °C / 12 °C																					
Cooling capacity	kW			3,37	4,08	4,65	4,15	5,02	5,67	4,24	4,97	5,18	4,69	5,53	5,80	4,38	5,33	5,95	6,35	7,62	8,07
Sensible cooling capacity	kW			2,70	3,34	3,92	2,93	3,60	4,12	3,24	3,83	4,02	3,53	4,20	4,41	3,11	4,11	4,73	4,20	5,08	5,40
Water flow rate system side	l/h			580	702	800	715	863	975	731	855	892	807	951	997	753	917	1023	1092	1310	1388
Pressure drop system side	kPa			15	21	26	16	23	28	20	26	28	12	16	17	10	14	17	18	24	27
Fan																					
Type	type			Centrifugal																	
Fan motor	type			Asynchronous																	
Number	no.			3			3			3			3			3			3		
Air flow rate	m ³ /h			567	770	920	567	770	920	785	978	1050	785	978	1050	785	978	1050	785	978	1050
High static pressure	Pa			27	50	71	27	50	71	32	50	58	32	50	58	32	50	58	32	50	58
Input power	W			66	89	118	66	89	118	92	117	138	92	117	138	92	117	138	92	117	138
Electrical wiring	V1 V4 V7			V1	V4	V7	V1	V4	V7	V2	V5	V7	V2	V5	V7	V2	V5	V7	V2	V5	V7
Duct type fan coil sound data (3)																					
Sound power level (inlet + radiated)	dB(A)			46,0	56,0	61,0	46,0	56,0	61,0	54,0	60,0	62,0	54,0	60,0	62,0	54,0	60,0	62,0	54,0	60,0	62,0
Sound power level (outlet)	dB(A)			44,0	54,0	60,0	44,0	54,0	60,0	52,0	59,0	61,0	52,0	59,0	61,0	52,0	59,0	61,0	52,0	59,0	61,0
Finned pack heat exchanger																					
Water content main heat exchanger	l			1,2			1,6			1,2			1,6			1,8			2,3		
Diameter hydraulic fittings																					
Main heat exchanger	Ø			3/4"																	

(1) Room air temperature 20 °C d.b.; Water (in/out) 70 °C/60 °C

(2) Room air temperature 20 °C d.b.; Water (in/out) 45 °C/40 °C; EUROVENT

(3) Aermec determines the sound power value on the basis of measurements taken in accordance with standard UNI EN 16583:15, respecting the Eurovent certification.

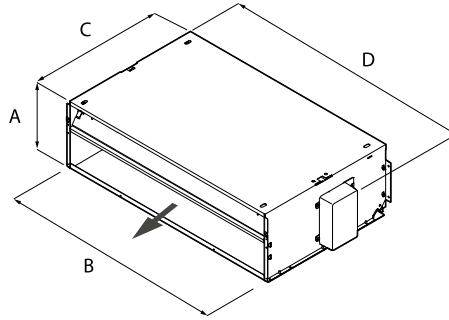
4-pipe

	FCZ201PO			FCZ301PO			FCZ401PO			FCZ501PO			FCZ601PO			FCZ701PO			FCZ901PO			
	2	4	6	1	4	6	1	3	6	1	5	6	1	4	7	2	5	7	2	5	7	
	L	M	H	L	M	H	L	M	H	L	M	H	L	M	H	L	M	H	L	M	H	
Heating performance 65 °C / 55 °C (1)																						
Heating capacity	kW	1,06	1,37	1,48	1,82	2,39	2,55	2,19	2,75	2,99	2,59	3,30	3,34	3,13	3,85	4,35	4,13	4,40	4,60	5,16	5,71	5,77
Water flow rate system side	l/h	93	120	130	159	210	223	192	240	262	226	290	301	274	336	381	361	385	403	452	500	504
Pressure drop system side	kPa	5	8	9	8	12	14	5	7	8	6	9	9	9	13	16	16	15	17	10	12	12
Cooling performance 7 °C / 12 °C																						
Cooling capacity	kW	0,93	1,30	1,44	1,70	2,40	2,63	2,29	3,06	3,41	2,68	3,65	3,82	3,37	4,08	4,65	4,24	4,97	5,18	4,38	5,33	5,95
Sensible cooling capacity	kW	0,74	1,14	1,18	1,27	1,86	2,03	1,66	2,24	2,52	1,94	2,70	2,83	2,70	3,34	3,92	3,24	3,83	4,02	3,11	4,11	4,73
Water flow rate system side	l/h	160	224	248	292	413	452	394	526	586	461	628	657	580	702	800	729	855	28	753	917	1023
Pressure drop system side	kPa	8	13	15	8	16	18	11	18	22	13	22	24	15	21	26	20	26	28	10	14	17
Fan																						
Type	type	Centrifugal																				
Fan motor	type	Asynchronous																				
Number	no.	1			2			2			2			3			3			3		
Air flow rate	m ³ /h	148	226	254	263	404	446	346	487	559	400	592	627	567	770	920	785	978	1050	785	978	1050
High static pressure	Pa	21	50	63	21	50	61	25	50	66	22	50	56	27	50	71	32	50	58	32	50	58
Input power	W	28	41	74	38	55	78	53	63	102	49	80	627	66	89	118	92	117	138	92	117	138
Electrical wiring		V2	V4	V6	V1	V4	V6	V1	V3	V6	V1	V5	V6	V1	V4	V7	V2	V5	V7	V2	V5	V7
Duct type fan coil sound data (2)																						
Sound power level (inlet + radiated)	dB(A)	41,0	56,0	59,0	39,0	51,0	54,0	44,0	54,0	55,0	45,0	55,0	57,0	46,0	56,0	61,0	54,0	60,0	62,0	54,0	60,0	62,0
Sound power level (outlet)	dB(A)	37,0	52,0	55,0	35,0	47,0	49,0	40,0	50,0	52,0	41,0	51,0	53,0	44,0	54,0	60,0	52,0	59,0	61,0	52,0	59,0	61,0
Finned pack heat exchanger																						
Water content main heat exchanger	l	0,5			0,8			1,0			1,0			1,2			1,2			1,8		
Water content secondary heat exchanger	l	0,2			0,3			0,3			0,3			0,4			0,4			0,7		
Diameter hydraulic fittings																						
Main heat exchanger	∅	1/2"			3/4"			3/4"			3/4"			3/4"			3/4"			3/4"		
Secondary heat exchanger	∅	1/2"																				

(1) Room air temperature 20°C d.b.; Water (in/out) 65 °C/55 °C; EUROVENT

(2) Aermec determines the sound power value on the basis of measurements taken in accordance with standard UNI EN 16583:15, respecting the Eurovent certification.

DIMENSIONS



		FCZ100P	FCZ150P	FCZ200P	FCZ250P	FCZ300P	FCZ350P	FCZ400P	FCZ450P	FCZ500P	FCZ550P
Dimensions and weights											
A	mm	216	216	216	216	216	216	216	216	216	216
B	mm	412	412	522	522	753	753	973	973	973	973
C	mm	453	453	453	453	453	453	453	453	453	453
D	mm	452	452	562	562	793	793	1013	1013	1013	1013
Net weight	kg	12,0	13,0	12,0	14,0	14,0	16,0	20,0	22,0	23,0	24,0

		FCZ600P	FCZ650P	FCZ700P	FCZ750P	FCZ800P	FCZ850P	FCZ900P	FCZ950P	FCZ1000P
Dimensions and weights										
A	mm	216	216	216	216	216	216	216	216	216
B	mm	1122	1122	1122	1122	1122	1122	1122	1122	1122
C	mm	453	453	453	453	453	453	558	558	558
D	mm	1147	1147	1147	1147	1147	1147	1147	1147	1147
Net weight	kg	29,0	31,0	29,0	31,0	29,0	31,0	32,0	32,0	32,0

		FCZ101P	FCZ102P	FCZ201P	FCZ202P	FCZ301P	FCZ302P	FCZ401P	FCZ402P	FCZ501P	FCZ502P
Dimensions and weights											
A	mm	216	216	216	216	216	216	216	216	216	216
B	mm	412	412	522	522	753	753	973	973	973	973
C	mm	453	453	453	453	453	453	453	453	453	453
D	mm	452	452	562	562	793	793	1013	1013	1013	1013
Net weight	kg	12,0	13,0	13,0	14,0	15,0	16,0	21,0	22,0	23,0	24,0

		FCZ601P	FCZ602P	FCZ701P	FCZ702P	FCZ801P	FCZ802P	FCZ901P	FCZ1001P
Dimensions and weights									
A	mm	216	216	216	216	216	216	216	216
B	mm	1122	1122	1122	1122	1122	1122	1122	1122
C	mm	453	453	453	453	453	453	558	558
D	mm	1147	1147	1147	1147	1147	1147	1147	1147
Net weight	kg	30,0	31,0	30,0	31,0	30,0	31,0	32,0	32,0

Aermec reserves the right to make any modifications deemed necessary.
All data is subject to change without notice. Aermec does not assume responsibility or liability for errors or omissions.

Aermec S.p.A.
Via Roma, 996 - 37040 Bevilacqua (VR) - Italia
Tel. 0442633111 - Telefax 044293577
www.aermec.com

Field	Description
5	main heat exchanger
0	Standard
5	Oversized
6	Secondary heat exchanger
0	Without coil
1	Standard
2	Oversized

Field	Description
7	Version
P	Flush-mounting, without cabinet
PO	Flush-mounting, with boosted motor
POR	Flush-mounting, with boosted motor, with water connections on right-hand side
PPC	Flush-mounting with Cold Plasma purifier
PR	Flush-mounting, without cabinet, with water connections on right-hand side

SIZE AVAILABLE FOR VERSION

Size	100	101	102	150	200	201	202	250	300	301	302	350	400	401	402	450	500	501	502	550
Versions produced (by size)																				
Versions available (by size)	P,PR	*	*	*	*	*	*	*	*	*	*	*	*	*	*	*	*	*	*	*
	PO,POR	-	-	-	-	*	*	*	*	*	*	*	*	*	*	*	*	*	*	*
	PPC	*	-	-	*	*	-	-	*	*	-	-	*	-	-	*	*	-	-	*
Size	600	601	602	650	700	701	702	750	800	801	802	850	900	901	950	1000	1001			
Versions produced (by size)																				
Versions available (by size)	P,PR	*	*	*	*	*	*	*	*	*	*	*	*	*	*	*	*	*	*	*
	PO,POR	*	*	*	*	*	*	*	-	-	-	-	*	*	-	-	-	-	-	-
	PPC	*	-	-	*	*	-	-	*	-	-	*	*	-	-	*	*	-	-	*

ACCESSORIES

Control panels

AER503IR: Flush-mounting thermostat with backlit display, capacitive keypad and infrared receiver, for controlling both brushless fan coils and those with an asynchronous motor. In 2-pipe systems, the thermostat can control standard fan coils or those equipped with an electric heater, with air purifying devices (Cold Plasma and germicidal lamp), with radiant plate or with FCZ-D twin delivery (Dualjet). In addition, it can control systems with radiant panels or mixed (fan coil and radiant floor) systems. Being equipped with an infrared receiver, it can, in turn, be controlled by the VMF-IR remote control.

PRO503: Wall box for AER503IR and VMF-E4 thermostats.

PXAI: Thermostat on the machine for controlling the fan coils (both with asynchronous and brushless motors), complete with water and air probes to be positioned in the relative seats, and a plastic support to fix it on the side of the unit. In 2-pipe systems, the thermostat can control standard fan coils or those equipped with an electric heater, purifier devices (Cold Plasma and germicidal lamp), or radiant plate.

SA5: air probe kit (L = 15 m) with probe-locking cable grommet.

SW3: Water probe (L = 2.5 m) for controlling the minimum and maximum and to allow automatic seasonal switching for electronic thermostats fitted with water side changeover.

SW5: water probe kit (L = 15m) with probe-holder connection point, fixing clip and probe-holder from heat exchanger.

TX: Wall-mounting thermostat for controlling either brushless fan coils or those with asynchronous motors for 2/4 pipe. In 2-pipe systems, the thermostat can control standard fan coils or those equipped with an electric heater, with air purifying devices, radiant plate or FCZ-D twin delivery (Dualjet).

WMT10: Electronic thermostat, white, with thermostated or continuous ventilation.

WMT16: Electronic thermostat with thermostated ventilation.

WMT16CV: Electronic thermostat with continuous ventilation.

AerSuite

The AerSuite application is used to remotely control the DI24 user interface, with VMF-E19/VMF-E19I thermostats, using Smart Devices with iOS and Android operating systems.

This is an application for Smartphones and Tablets with which the user can access and control the system operation remotely.

For more information about the use of the application and the available functions, refer to the respective documentation on the website.



VMF system

DI24: Flush-mounted interface (503 box) with 2.4" touch screen display to be combined with VMF-E19, VMF-E19I accessories. It allows you to regulate and monitor the temperature inside rooms precisely and on time; in addition to accessing and interacting with your system's operating information, parameters and alarms, it allows you to set time slots. Thanks to its Wi-Fi connection, DI24 in combination with the AerSuite APP (available for Android and iOS) can also be remotely controlled. All programming and most functions are done in a simple and intuitive way using the APP. It is supplied with a graphite grey plate; however, to allow the interface to be customised so that it fits in perfectly with the style of any home, DI24 is compatible with plates of the major brands available on the market, for more information please refer to our documentation.

VMF-E19: Thermostat to be secured to the side of the fan coil, fitted as standard with an air probe and a water probe.

VMF-E3: Wall mounted user interface, to be combined with accessories VMF-E19, VMF-E19I, with grids GLF_N/M and GLL_N, can be controlled with VMF-IR control.

VMF-E4DX: Wall-mounted user interface. Grey front panel PANTONE 425C (METAL).

VMF-E4X: Wall-mounted user interface. Light grey front panel PANTONE COOL GRAY 1C.

VMF-IR: User interface compatible with the AER503IR, VMF-E3 thermostat and with all the grids of cassettes equipped with the infrared receiver compatible with the VMF system.

VMF-SW: Water probe (L = 2.5m) used if required in place of the standard unit supplied with the VMF-E19 and VMF-E19I thermostats for mounting it upstream of the valve.

VMF-SW1: Additional water probe (L = 2.5m) to be used if required for 4-pipe systems with the VMF-E19 and VMF-E19I thermostats for maximum control in the cold range

VMHI: The VMHI panel can be used as a user interface for VMF-E19/E19I thermostats, GLFxN/M or GLLxN grids, or as an interface for the MZC system. What determines the function to be performed by the user interface is determined by its correct parametrisation and by following the electrical connections between interface and thermostat or interface and plenum.

Water valves

VCZ_X: 3-way valve kit for single-coil fan coil, RH connections, (VCZ_X4R) or LH (VCZ_X4L) for 4-pipe systems. With totally separate "heating" and "cooling" circuits. This kit consists of two 3-way insulated valves and four connections, complete with electrothermal actuators, insulating shells for the valves, and the relative hydraulic couplings. X4L version for fan coils with LH connections, and X4R for fan coils with RH connections. 230V~50Hz power supply.

VCZ: 3-way motorised valve kit for the main coil. The kit is made up of a valve with its insulating shell, actuator and relative hydraulic fittings. It can be installed on fan coils with both right and left connections. If the valve is combined with the BCZ5 or BCZ6 condensate drain pan, to ensure a better housing it is possible to remove the insulating shell.

VCF44 - 45 - for secondary heat exchanger: The 3-way motorised valve kit for the secondary coil heat only. The kit consists of a valve with its insulating shell, actuator and relevant water fittings; it is suitable to be installed on the fan coils with right and left water connections.

VCZD: 2-way motorised valve kit. The kit consists of a valve, an actuator and the relative pipe fittings. It can be installed on fan coils with both right and left connections.

VJP: Control and balancing combination valve for 2 and 4 pipe systems to install outside the unit, supplied without fittings and hydraulic components. The valve, which can guarantee a constant water flow rate in the terminal, within its operating range.

(Heating only) additional coil

BV: Hot water heat exchanger with 1 row.

RX: Armoured electric coil with safety thermostat.

PCR: Galvanised plate protection for the controls and the electrical element.

Installation accessories

AMP: Wall mounting kit

DSC: Condensate drainage device.

BC: Condensate drip.

BCZ: Condensate drip. If the valve is paired with the BCZ5 or BCZ6 condensate drip tray, the insulating shell can be removed to ensure better housing.

Ventilcassaforma: Galvanised sheet metal template. It makes it possible to obtain directly in the wall a space for housing the fan coil.

MZA: Cabinet housing with fixed fins.

MZU: Cabinet housing with adjustable fins.

GA: Intake grid with fixed louvers

GAF: Intake grid with filter and fixed louvers

GM: Flow grid with adjustable louvers.

PA: Intake plenum in galvanised sheet metal, complete with suction couplings for circular-section ducts.

PAF: Intake plenum providing recovery and delivery on the same side, for all installations where the machine needs to be positioned outside the air conditioned rooms to minimise the noise levels and facilitate maintenance.

PM: Galvanised sheet steel flow plenum, externally insulated, equipped with plastic flow fittings for ducts and circular sections.

RD: Straight delivery coupling for canalisation.

RDA: Straight suction coupling for canalisation.

RP: 90° delivery coupling.

RPA: 90° suction coupling.

Accessories for ducting

MZC: Plenum with motorised dampers.

RDA_V: Straight intake connection with rectangular flange.

RPA_V: Suction plenum with rectangular flange; both sides have a circular push-out Ø 150mm that can be removed.

RDA_C: Straight intake connection with circular flanges.

PA_V: Suction plenum with circular plastic flanges; both sides have a circular push-out Ø 150mm that can be removed.

PM_V: Internally insulated delivery plenum with circular flanges; both sides have a circular push-out Ø 150mm that can be removed.

RPM_V: Internally insulated delivery plenum with rectangular flange; both sides have a circular push-out Ø 150mm that can be removed.

RDM_V: Straight delivery coupling in galvanised sheet metal.

RDM_C: Straight discharge internally insulated, with circular flanges.

ACCESSORIES COMPATIBILITY

Control panels

Model	Ver	100	101	102	150	200	201	202	250	300	301	302	350	400	401	402	450	500	501	502	550	
AERS03IR (1)	PPR	*	*	*	*	*	*	*	*	*	*	*	*	*	*	*	*	*	*	*	*	*
	PO,POR					*	*	*	*	*	*	*	*	*	*	*	*	*	*	*	*	*
	PPC	*			*	*	*	*	*	*	*	*	*	*	*	*	*	*	*	*	*	*
PRO503	PPR	*	*	*	*	*	*	*	*	*	*	*	*	*	*	*	*	*	*	*	*	*
	PO,POR					*	*	*	*	*	*	*	*	*	*	*	*	*	*	*	*	*
	PPC	*			*	*	*	*	*	*	*	*	*	*	*	*	*	*	*	*	*	*
PXAI	PPR	*	*	*	*	*	*	*	*	*	*	*	*	*	*	*	*	*	*	*	*	*
	PO,POR					*	*	*	*	*	*	*	*	*	*	*	*	*	*	*	*	*
	PPC	*			*	*	*	*	*	*	*	*	*	*	*	*	*	*	*	*	*	*
SAS (2)	PPR	*	*	*	*	*	*	*	*	*	*	*	*	*	*	*	*	*	*	*	*	*
	PO,POR					*	*	*	*	*	*	*	*	*	*	*	*	*	*	*	*	*
	PPC	*			*	*	*	*	*	*	*	*	*	*	*	*	*	*	*	*	*	*
SW3 (2)	PPR	*	*	*	*	*	*	*	*	*	*	*	*	*	*	*	*	*	*	*	*	*
	PO,POR					*	*	*	*	*	*	*	*	*	*	*	*	*	*	*	*	*
	PPC	*			*	*	*	*	*	*	*	*	*	*	*	*	*	*	*	*	*	*
SW5 (2)	PPR	*	*	*	*	*	*	*	*	*	*	*	*	*	*	*	*	*	*	*	*	*
	PO,POR					*	*	*	*	*	*	*	*	*	*	*	*	*	*	*	*	*
	PPC	*			*	*	*	*	*	*	*	*	*	*	*	*	*	*	*	*	*	*
TX (3)	PPR	*	*	*	*	*	*	*	*	*	*	*	*	*	*	*	*	*	*	*	*	*
	PO,POR					*	*	*	*	*	*	*	*	*	*	*	*	*	*	*	*	*
	PPC	*			*	*	*	*	*	*	*	*	*	*	*	*	*	*	*	*	*	*
WMT10 (3)	PPR	*	*	*	*	*	*	*	*	*	*	*	*	*	*	*	*	*	*	*	*	*
	PO,POR					*	*	*	*	*	*	*	*	*	*	*	*	*	*	*	*	*
	PPC	*			*	*	*	*	*	*	*	*	*	*	*	*	*	*	*	*	*	*
WMT16 (3)	PPR	*	*	*	*	*	*	*	*	*	*	*	*	*	*	*	*	*	*	*	*	*
	PO,POR					*	*	*	*	*	*	*	*	*	*	*	*	*	*	*	*	*
	PPC	*			*	*	*	*	*	*	*	*	*	*	*	*	*	*	*	*	*	*
WMT16CV (3)	PPR	*	*	*	*	*	*	*	*	*	*	*	*	*	*	*	*	*	*	*	*	*
	PO,POR					*	*	*	*	*	*	*	*	*	*	*	*	*	*	*	*	*
	PPC	*			*	*	*	*	*	*	*	*	*	*	*	*	*	*	*	*	*	*

Model	Ver	600	601	602	650	700	701	702	750	800	801	802	850	900	901	950	1000	1001
AERS03IR (1)	PPR	*	*	*	*	*	*	*	*	*	*	*	*	*	*	*	*	*
	PO,POR	*	*	*	*	*	*	*	*	*	*	*	*	*	*	*	*	*
	PPC	*	*	*	*	*	*	*	*	*	*	*	*	*	*	*	*	*
PRO503	PPR	*	*	*	*	*	*	*	*	*	*	*	*	*	*	*	*	*
	PO,POR	*	*	*	*	*	*	*	*	*	*	*	*	*	*	*	*	*
	PPC	*	*	*	*	*	*	*	*	*	*	*	*	*	*	*	*	*
PXAI	PPR	*	*	*	*	*	*	*	*	*	*	*	*	*	*	*	*	*
	PO,POR	*	*	*	*	*	*	*	*	*	*	*	*	*	*	*	*	*
	PPC	*	*	*	*	*	*	*	*	*	*	*	*	*	*	*	*	*
SAS (2)	PPR	*	*	*	*	*	*	*	*	*	*	*	*	*	*	*	*	*
	PO,POR	*	*	*	*	*	*	*	*	*	*	*	*	*	*	*	*	*
	PPC	*	*	*	*	*	*	*	*	*	*	*	*	*	*	*	*	*
SW3 (2)	PPR	*	*	*	*	*	*	*	*	*	*	*	*	*	*	*	*	*
	PO,POR	*	*	*	*	*	*	*	*	*	*	*	*	*	*	*	*	*
	PPC	*	*	*	*	*	*	*	*	*	*	*	*	*	*	*	*	*
SW5 (2)	PPR	*	*	*	*	*	*	*	*	*	*	*	*	*	*	*	*	*
	PO,POR	*	*	*	*	*	*	*	*	*	*	*	*	*	*	*	*	*
	PPC	*	*	*	*	*	*	*	*	*	*	*	*	*	*	*	*	*
TX (3)	PPR	*	*	*	*	*	*	*	*	*	*	*	*	*	*	*	*	*
	PO,POR	*	*	*	*	*	*	*	*	*	*	*	*	*	*	*	*	*
	PPC	*	*	*	*	*	*	*	*	*	*	*	*	*	*	*	*	*
WMT10 (3)	PPR	*	*	*	*	*	*	*	*	*	*	*	*	*	*	*	*	*
	PO,POR	*	*	*	*	*	*	*	*	*	*	*	*	*	*	*	*	*
	PPC	*	*	*	*	*	*	*	*	*	*	*	*	*	*	*	*	*
WMT16 (3)	PPR	*	*	*	*	*	*	*	*	*	*	*	*	*	*	*	*	*
	PO,POR	*	*	*	*	*	*	*	*	*	*	*	*	*	*	*	*	*
	PPC	*	*	*	*	*	*	*	*	*	*	*	*	*	*	*	*	*
WMT16CV (3)	PPR	*	*	*	*	*	*	*	*	*	*	*	*	*	*	*	*	*
	PO,POR	*	*	*	*	*	*	*	*	*	*	*	*	*	*	*	*	*
	PPC	*	*	*	*	*	*	*	*	*	*	*	*	*	*	*	*	*

(1) Wall-mount installation.

(2) Probe for AERS03IR-TX thermostats, if fitted.

(3) Wall-mounting. If the unit intake exceeds 0.7A, or several units need to be managed with a single thermostat, board SIT3 and/or SIT5 is required.

VMF system

For more information about VMF system, refer to the dedicated documentation.

Model	Ver	100	101	102	150	200	201	202	250	300	301	302	350	400	401	402	450	500	501	502	550	
DI24	PPR	*	*	*	*	*	*	*	*	*	*	*	*	*	*	*	*	*	*	*	*	*
	PO,POR	*	*	*	*	*	*	*	*	*	*	*	*	*	*	*	*	*	*	*	*	*
	PPC	*	*	*	*	*	*	*	*	*	*	*	*	*	*	*	*	*	*	*	*	*
VMF-E19 (1)	PPR	*	*	*	*	*	*	*	*	*	*	*	*	*	*	*	*	*	*	*	*	*
	PO,POR	*	*	*	*	*	*	*	*	*	*	*	*	*	*	*	*	*	*	*	*	*
	PPC	*	*	*	*	*	*	*	*	*	*	*	*	*	*	*	*	*	*	*	*	*
VMF-E3	PPR	*	*	*	*	*	*	*	*	*	*	*	*	*	*	*	*	*	*	*	*	*
	PO,POR	*	*	*	*	*	*	*	*	*	*	*	*	*	*	*	*	*	*	*	*	*
	PPC	*	*	*	*	*	*	*	*	*	*	*	*	*	*	*	*	*	*	*	*	*
VMF-E4DX	PPR	*	*	*	*	*	*	*	*	*	*	*	*	*	*	*	*	*	*	*	*	*
	PO,POR	*	*	*	*	*	*	*	*	*	*	*	*	*	*	*	*	*	*	*	*	*
	PPC	*	*	*	*	*	*	*	*	*	*	*	*	*	*	*	*	*	*	*	*	*
VMF-E4X	PPR	*	*	*	*	*	*	*	*	*	*	*	*	*	*	*	*	*	*	*	*	*
	PO,POR	*	*	*	*	*	*	*	*	*	*	*	*	*	*	*	*	*	*	*	*	*
	PPC	*	*	*	*	*	*	*	*	*	*	*	*	*	*	*	*	*	*	*	*	*
VMF-IR	PPR	*	*	*	*	*	*	*	*	*	*	*	*	*	*	*	*	*	*	*	*	*
	PO,POR	*	*	*	*	*	*	*	*	*	*	*	*	*	*	*	*	*	*	*	*	*
	PPC	*	*	*	*	*	*	*	*	*	*	*	*	*	*	*	*	*	*	*	*	*
VMF-SW	PPR	*	*	*	*	*	*	*	*	*	*	*	*	*	*	*	*	*	*	*	*	*
	PO,POR	*	*	*	*	*	*	*	*	*	*	*	*	*	*	*	*	*	*	*	*	*
	PPC	*	*	*	*	*	*	*	*	*	*	*	*	*	*	*	*	*	*	*	*	*
VMF-SW1	PPR	*	*	*	*	*	*	*	*	*	*	*	*	*	*	*	*	*	*	*	*	*
	PO,POR	*	*	*	*	*	*	*	*	*	*	*	*	*	*	*	*	*	*	*	*	*
	PPC	*	*	*	*	*	*	*	*	*	*	*	*	*	*	*	*	*	*	*	*	*
VMHI	PPR	*	*	*	*	*	*	*	*	*	*	*	*	*	*	*	*	*	*	*	*	*
	PO,POR	*	*	*	*	*	*	*	*	*	*	*	*	*	*	*	*	*	*	*	*	*
	PPC	*	*	*	*	*	*	*	*	*	*	*	*	*	*	*	*	*	*	*	*	*

Model	Ver	600	601	602	650	700	701	702	750	800	801	802	850	900	901	950	1000	1001
DI24	PPR	*	*	*	*	*	*	*	*	*	*	*	*	*	*	*	*	*
	PO,POR	*	*	*	*	*	*	*	*	*	*	*	*	*	*	*	*	*
	PPC	*	*	*	*	*	*	*	*	*	*	*	*	*	*	*	*	*
VMF-E19 (1)	PPR	*	*	*	*	*	*	*	*	*	*	*	*	*	*	*	*	*
	PO,POR	*	*	*	*	*	*	*	*	*	*	*	*	*	*	*	*	*
	PPC	*	*	*	*	*	*	*	*	*	*	*	*	*	*	*	*	*
VMF-E3	PPR	*	*	*	*	*	*	*	*	*	*	*	*	*	*	*	*	*
	PO,POR	*	*	*	*	*	*	*	*	*	*	*	*	*	*	*	*	*
	PPC	*	*	*	*	*	*	*	*	*	*	*	*	*	*	*	*	*
VMF-E4DX	PPR	*	*	*	*	*	*	*	*	*	*	*	*	*	*	*	*	*
	PO,POR	*	*	*	*	*	*	*	*	*	*	*	*	*	*	*	*	*
	PPC	*	*	*	*	*	*	*	*	*	*	*	*	*	*	*	*	*
VMF-E4X	PPR	*	*	*	*	*	*	*	*	*	*	*	*	*	*	*	*	*
	PO,POR	*	*	*	*	*	*	*	*	*	*	*	*	*	*	*	*	*
	PPC	*	*	*	*	*	*	*	*	*	*	*	*	*	*	*	*	*
VMF-IR	PPR	*	*	*	*	*	*	*	*	*	*	*	*	*	*	*	*	*
	PO,POR	*	*	*	*	*	*	*	*	*	*	*	*	*	*	*	*	*
	PPC	*	*	*	*	*	*	*	*	*	*	*	*	*	*	*	*	*
VMF-SW	PPR	*	*	*	*	*	*	*	*	*	*	*	*	*	*	*	*	*
	PO,POR	*	*	*	*	*	*	*	*	*	*	*	*	*	*	*	*	*
	PPC	*	*	*	*	*	*	*	*	*	*	*	*	*	*	*	*	*
VMF-SW1	PPR	*	*	*	*	*	*	*	*	*	*	*	*	*	*	*	*	*
	PO,POR	*	*	*	*	*	*	*	*	*	*	*	*	*	*	*	*	*
	PPC	*	*	*	*	*	*	*	*	*	*	*	*	*	*	*	*	*
VMHI	PPR	*	*	*	*	*	*	*	*	*	*	*	*	*	*	*	*	*
	PO,POR	*	*	*	*	*	*	*	*	*	*	*	*	*	*	*	*	*
	PPC	*	*	*	*	*	*	*	*	*	*	*	*	*	*	*	*	*

(1) Also the accessory VMF-SIT3V is mandatory if the unit exceeds 0.7 Amperes.

Water valves

3 way valve kit

	100	101	102	150	200	201	202	250	300	301	302	350	400	401	402	450
Main coil	VCZ41	VCZ41	VCZ41	VCZ41	VCZ41	VCZ41	VCZ41	VCZ41	VCZ42	VCZ42	VCZ42	VCZ42	VCZ42	VCZ42	VCZ42	VCZ42
	VCZ4124	VCZ4124	VCZ4124	VCZ4124	VCZ4124	VCZ4124	VCZ4124	VCZ4124	VCZ4224	VCZ4224	VCZ4224	VCZ4224	VCZ4224	VCZ4224	VCZ4224	VCZ4224
Secondary coil	-	VCF44	VCF44	-	-	VCF44	VCF44	-	-	VCF44	VCF44	-	-	VCF44	VCF44	-
	-	VCF4424	VCF4424	-	-	VCF4424	VCF4424	-	-	VCF4424	VCF4424	-	-	VCF4424	VCF4424	-
Additional coil "BV"	VCF44	-	-	-	VCF44	-	-	-	VCF44	-	-	-	VCF44	-	-	-
	VCF4424	-	-	-	VCF4424	-	-	-	VCF4424	-	-	-	VCF4424	-	-	-

	500	501	502	550	600	601	602	650	700	701	702	750	800	801	802	850
Main coil	VCZ42	VCZ42	VCZ42	VCZ42	VCZ42	VCZ42	VCZ42	VCZ42	VCZ42	VCZ42	VCZ42	VCZ42	VCZ42	VCZ42	VCZ42	VCZ42
	VCZ4224	VCZ4224	VCZ4224	VCZ4224	VCZ4224	VCZ4224	VCZ4224	VCZ4224	VCZ4224	VCZ4224	VCZ4224	VCZ4224	VCZ4224	VCZ4224	VCZ4224	VCZ4224
Secondary coil	-	VCF44	VCF44	-	-	VCF44	VCF44	-	-	VCF44	VCF44	-	-	VCF44	VCF44	-
	-	VCF4424	VCF4424	-	-	VCF4424	VCF4424	-	-	VCF4424	VCF4424	-	-	VCF4424	VCF4424	-
Additional coil "BV"	VCF44	-	-	-	VCF44	-	-	-	VCF44	-	-	-	VCF44	-	-	-
	VCF4424	-	-	-	VCF4424	-	-	-	VCF4424	-	-	-	VCF4424	-	-	-

	900	901	950	1000	1001
Main coil	VCZ43	VCZ43	VCZ43	VCZ43	VCZ43
	VCZ4324	VCZ4324	VCZ4324	VCZ4324	VCZ4324
Secondary coil	-	VCF45	-	-	VCF45
	-	VCF4524	-	-	VCF4524
Additional coil "BV"	VCF45	-	-	VCF45	-
	VCF4524	-	-	VCF4524	-

2 way valve kit

	100	101	102	150	200	201	202	250	300	301	302	350	400	401	402	450
Main coil	VCZD1	VCZD1	VCZD1	VCZD1	VCZD1	VCZD1	VCZD1	VCZD1	VCZD2	VCZD2	VCZD2	VCZD2	VCZD2	VCZD2	VCZD2	VCZD2
	VCZD124	VCZD124	VCZD124	VCZD124	VCZD124	VCZD124	VCZD124	VCZD124	VCZD224	VCZD224	VCZD224	VCZD224	VCZD224	VCZD224	VCZD224	VCZD224
Secondary coil	-	VCFD4	VCFD4	-	-	VCFD4	VCFD4	-	-	VCFD4	VCFD4	-	-	VCFD4	VCFD4	-
	-	VCFD424	VCFD424	-	-	VCFD424	VCFD424	-	-	VCFD424	VCFD424	-	-	VCFD424	VCFD424	-
Additional coil "BV"	VCFD4	-	-	-	VCFD4	-	-	-	VCFD4	-	-	-	VCFD4	-	-	-
	VCFD424	-	-	-	VCFD424	-	-	-	VCFD424	-	-	-	VCFD424	-	-	-

	500	501	502	550	600	601	602	650	700	701	702	750	800	801	802	850
Main coil	VCZD2	VCZD2	VCZD2	VCZD2	VCZD2	VCZD2	VCZD2	VCZD2	VCZD2	VCZD2	VCZD2	VCZD2	VCZD2	VCZD2	VCZD2	VCZD2
	VCZD224	VCZD224	VCZD224	VCZD224	VCZD224	VCZD224	VCZD224	VCZD224	VCZD224	VCZD224	VCZD224	VCZD224	VCZD224	VCZD224	VCZD224	VCZD224
Secondary coil	-	VCFD4	VCFD4	-	-	VCFD4	VCFD4	-	-	VCFD4	VCFD4	-	-	VCFD4	VCFD4	-
	-	VCFD424	VCFD424	-	-	VCFD424	VCFD424	-	-	VCFD424	VCFD424	-	-	VCFD424	VCFD424	-
Additional coil "BV"	VCFD4	-	-	-	VCFD4	-	-	-	VCFD4	-	-	-	VCFD4	-	-	-
	VCFD424	-	-	-	VCFD424	-	-	-	VCFD424	-	-	-	VCFD424	-	-	-

	900	901	950	1000	1001
Main coil	VCZD3	VCZD3	VCZD3	VCZD3	VCZD3
	VCZD324	VCZD324	VCZD324	VCZD324	VCZD324
Secondary coil	-	VCFD4	-	-	VCFD4
	-	VCFD424	-	-	VCFD424
Additional coil "BV"	VCFD4	-	-	VCFD4	-
	VCFD424	-	-	VCFD424	-

Valve Kit for 4 pipe systems - Requires a thermostat with valve management

Model	Ver	100	101	102	150	200	201	202	250	300	301	302	350	400	401	402	450	500	501	502	550	
VCZ1X4L (1)	P,PPC,PR													
	PO,POR					.			.													
VCZ1X4R (1)	P,PPC,PR													
	PO,POR					.			.													
VCZ2X4L (1)	P,PO,POR,PPC,PR								
VCZ2X4R (1)	P,PO,POR,PPC,PR								

Model	Ver	600	601	602	650	700	701	702	750	800	801	802	850	900	901	950	1000	1001
VCZ2X4L (1)	P,PPC,PR					
	PO,POR					
VCZ2X4R (1)	P,PPC,PR					
	PO,POR					
VCZ3X4L (1)	P,PPC,PR													
	PO,POR													
VCZ3X4R (1)	P,PPC,PR													
	PO,POR													

(1) The valves can be combined with the units if there is a control panel for managing them.

Combined Adjustment and Balancing Valve Kit

Model	Ver	100	101	102	150	200	201	202	250	300	301	302	350	400	401	402	450	500	501	502	550	
VJP060 (1)	P,PR
	PO,POR				
VJP060M (2)	PPC									
	P,PR
	PO,POR				
VJP090 (1)	P,PO,POR,PR												
	PPC												
VJP090M (2)	P,PO,POR,PR												
	PPC												

Model	Ver	600	601	602	650	700	701	702	750	800	801	802	850	900	901	950	1000	1001
VJP090 (1)	P,PO,POR,PR													
	PPC	.			.													
VJP090M (2)	P,PO,POR,PR													
	PPC	.			.													
VJP150 (1)	P,PR
	PO,POR
	PPC	
VJP150M (2)	P,PR
	PO,POR
	PPC	

(1) 230V~50Hz
(2) 24V

(Heating only) additional coil

Heating only additional coil

Model	Ver	100	101	102	150	200	201	202	250	300	301	302	350	400	401	402	450	500	501	502	550
BV117 (1)	PPR	*																			
BV122 (1)	PPO,POR,PR					*															
BV132 (1)	PPO,POR,PPC,PR									*											
BV142 (1)	PPO,POR,PPC,PR													*					*		

Model	Ver	600	601	602	650	700	701	702	750	800	801	802	850	900	901	950	1000	1001
BV162 (1)	PPR													*				*
	PO,POR,PPC													*				
BVZ800 (1)	PPPC,PR	*				*				*								
	PO,POR	*				*				*								

(1) Not available for sizes with oversized main coil.

Electric coil - Requires a thermostat with heater management. Not available for sizes with an oversized main coil.

Model	Ver	100	101	102	150	200	201	202	250	300	301	302	350	400	401	402	450	500
RX17 (1)	PPR	*																
RX22 (1)	PPO,POR,PR					*												
RX32 (1)	PPO,POR,PPC,PR									*								
RX42 (1)	PPO,POR,PPC,PR													*				
RX52 (1)	PPO,POR,PPC,PR																	*

Model	Ver	501	502	550	600	601	602	650	700	701	702	750	800	801	802	850	900	901
RX62 (1)	PPO,POR,PPC,PR																*	
	PPPC,PR				*				*				*					
RXZ800 (1)	PO,POR				*				*				*					

Model	Ver	950	1000	1001
RX62 (1)	PPR		*	

(1) It requires a thermostat with heater management and the units without a housing also require the PCR1 or PCR2 accessory, depending on the unit. The heater is not available for sizes with a larger main battery.

Galvanised plate protection for the controls and the electrical element.

Model	Ver	100	101	102	150	200	201	202	250	300	301	302	350	400	401	402	450	500
PCR1	PPO,POR,PR	*				*				*				*				*

Model	Ver	501	502	550	600	601	602	650	700	701	702	750	800	801	802	850	900	901
PCR1	PPO,POR,PR				*				*				*					
PCR2	PPO,POR,PR																*	

Model	Ver	950	1000	1001
PCR2	PPO,POR,PR		*	

Installation accessories

Wall mounting kit

Model	Ver	100	101	102	150	200	201	202	250	300	301	302	350	400	401	402	450	500	501	502	550
AMP20	PPR	*	*	*	*	*	*	*	*	*	*	*	*	*	*	*	*	*	*	*	*
	PO,POR					*	*	*	*	*	*	*	*	*	*	*	*	*	*	*	*
	PPC	*		*	*	*	*	*	*	*	*	*	*	*	*	*	*	*	*	*	*

Model	Ver	600	601	602	650	700	701	702	750	800	801	802	850	900	901	950	1000	1001
AMPZ	PPR	*	*	*	*	*	*	*	*	*	*	*	*	*	*	*	*	*
	PO,POR	*	*	*	*	*	*	*	*	*	*	*	*	*	*	*	*	*
	PPC	*		*	*	*	*	*	*	*	*	*	*	*	*	*	*	*

Condensate drip

Model	Ver	100	101	102	150	200	201	202	250	300	301	302	350	400	401	402	450	500	501	502	550
BCZ4 (1)	PPR	*	*	*	*	*	*	*	*	*	*	*	*	*	*	*	*	*	*	*	*
	PO,POR					*	*	*	*	*	*	*	*	*	*	*	*	*	*	*	*
	PPC	*		*	*	*	*	*	*	*	*	*	*	*	*	*	*	*	*	*	*
BCZ5 (2)	P		*	*	*	*	*	*	*	*	*	*	*	*	*	*	*	*	*	*	*
	PO,POR					*	*	*	*	*	*	*	*	*	*	*	*	*	*	*	*
	PPC	*		*	*	*	*	*	*	*	*	*	*	*	*	*	*	*	*	*	*
BCZ6 (2)	PR	*	*	*	*	*	*	*	*	*	*	*	*	*	*	*	*	*	*	*	*

Model	Ver	600	601	602	650	700	701	702	750	800	801	802	850	900	901	950	1000	1001
BCZ4 (1)	PPR	*	*	*	*	*	*	*	*	*	*	*	*	*	*	*	*	*
	PO,POR	*	*	*	*	*	*	*	*	*	*	*	*	*	*	*	*	*
	PPC	*	*	*	*	*	*	*	*	*	*	*	*	*	*	*	*	*
BCZ5 (2)	PPR	*	*	*	*	*	*	*	*	*	*	*	*	*	*	*	*	*
	PO,POR	*	*	*	*	*	*	*	*	*	*	*	*	*	*	*	*	*
	PPC	*	*	*	*	*	*	*	*	*	*	*	*	*	*	*	*	*
BCZ6 (2)	PPR					*	*	*	*	*	*	*	*	*	*	*	*	*
	PO,POR					*	*	*	*	*	*	*	*	*	*	*	*	*
	PPC					*	*	*	*	*	*	*	*	*	*	*	*	*

(1) For vertical installation.
 (2) For horizontal installation.

Model	Ver	100	101	102	150	200	201	202	250	300	301	302	350	400	401	402	450	500	501	502	550	
BC8 (1)	PPR
	PO,POR
	PPC
Model	Ver	600	601	602	650	700	701	702	750	800	801	802	850	900	901	950	1000	1001				
BC8 (1)	PPR
	PO,POR
	PPC
BC9 (1)	PPR
	PO,POR
	PPC

(1) For horizontal installation.

Condensate recirculation device

Model	Ver	100	101	102	150	200	201	202	250	300	301	302	350	400	401	402	450	500	501	502	550	
DSC24 (1)	PPR
	PO,POR
	PPC
Model	Ver	600	601	602	650	700	701	702	750	800	801	802	850	900	901	950	1000	1001				
DSC24 (1)	PPR
	PO,POR
	PPC

(1) DSC24 due to space problems inside the unit, the VCZ1-2-3-4 X4L/R valves cannot be mounted together with the amp/AMPZ accessories, with all the condensate collection trays. With the VMF-E19/E19I thermostats, please contact the head office.

Ventilcassaforma

Model	Ver	100	101	102	150	200	201	202	250	300	301	302	350	400	401	402	450	500	501	502	550	
CHF17	PPR
	PPC
CHF22	PPO,POR,PR
	PPC
CHF32	PPO,POR,PR
	PPC
CHF42	PPO,POR,PR
	PPC
Model	Ver	600	601	602	650	700	701	702	750	800	801	802	850	900	901	950	1000	1001				
CHF62	PPR
	PO,POR
	PPC

Cabinet housing with fixed fins.

Model	Ver	100	101	102	150	200	201	202	250	300	301	302	350	400	401	402	450	500	501	502	550	
MZA100	PPPC,PR
MZA200	PPPC,PR
MZA300	PPPC,PR
MZA500	PPPC,PR
Model	Ver	600	601	602	650	700	701	702	750	800	801	802	850	900	901	950	1000	1001				
MZA800	PPPC,PR
MZA900	PPPC,PR

Cabinet housing with adjustable fins.

Model	Ver	100	101	102	150	200	201	202	250	300	301	302	350	400	401	402	450	500	501	502	550	
MZU100	PPPC,PR
MZU200	PPPC,PR
MZU300	PPPC,PR
MZU500	PPPC,PR
Model	Ver	600	601	602	650	700	701	702	750	800	801	802	850	900	901	950	1000	1001				
MZU800	PPPC,PR
MZU900	PPPC,PR

Wall mounting and duct type installation accessories

Lower intake grille

Model	Ver	100	101	102	150	200	201	202	250	300	301	302	350	400	401	402	450	500	501	502	550	
GA17	P,PR
	PPC
GA22	PPO,POR,PR
	PPC
GA32	PPO,POR,PR
	PPC
GA42	PPO,POR,PR
	PPC

Model	Ver	600	601	602	650	700	701	702	750	800	801	802	850	900	901	950	1000	1001
GA62	PPR
	PO,POR
	PPC

Intake grilles with fixed louvers and filter

Model	Ver	100	101	102	150	200	201	202	250	300	301	302	350	400	401	402	450	500	501	502	550		
GAF17	PPR																		
	PPC																		
GAF22	P,PO,POR,PR																		
	PPC																		
GAF32	P,PO,POR,PR																		
	PPC																		
GAF42	P,PO,POR,PR												
	PPC												

Model	Ver	600	601	602	650	700	701	702	750	800	801	802	850	900	901	950	1000	1001
GA62	PPR
	PO,POR
	PPC

Delivery grilles with adjustable louvers

Model	Ver	100	101	102	150	200	201	202	250	300	301	302	350	400	401	402	450	500	501	502	550		
GM17	PPR																		
	PPC																		
GM22	P,PO,POR,PR																		
	PPC																		
GM32	P,PO,POR,PR																		
	PPC																		
GM42	P,PO,POR,PR												
	PPC												

Model	Ver	600	601	602	650	700	701	702	750	800	801	802	850	900	901	950	1000	1001
GM62	PPR
	PO,POR
	PPC

Intake plenum in sheet metal complete with connectors for circular channels

Model	Ver	100	101	102	150	200	201	202	250	300	301	302	350	400	401	402	450	500	501	502	550		
PA17	PPR																		
	PPC																		
PA22	P,PO,POR,PR																		
	PPC																		
PA32	P,PO,POR,PR																		
	PPC																		
PA42	P,PO,POR,PR												
	PPC												

Model	Ver	600	601	602	650	700	701	702	750	800	801	802	850	900	901	950	1000	1001
PA62	PPR
	PO,POR
	PPC

Intake plenum providing recovery and delivery on the same side

Model	Ver	100	101	102	150	200	201	202	250	300	301	302	350	400	401	402	450	500	501	502	550		
PA17F	PPR																		
	PPC																		
PA22F	P,PO,POR,PR																		
	PPC																		
PA32F	P,PO,POR,PR																		
	PPC																		
PA42F	P,PO,POR,PR												
	PPC												

Model	Ver	600	601	602	650	700	701	702	750	800	801	802	850	900	901	950	1000	1001
PA62F	PPR
	PO,POR
	PPC

Delivery plenum with circular flanges.

Model	Ver	100	101	102	150	200	201	202	250	300	301	302	350	400	401	402	450	500	501	502	550
PM17	PPR																
	PPC	.			.																
PM22	P,PO,POR,PR																
	PPC					.			.												
PM32	P,PO,POR,PR																
	PPC									.			.								
PM42	P,PO,POR,PR												
	PPC												

Model	Ver	600	601	602	650	700	701	702	750	800	801	802	850	900	901	950	1000	1001
PM62	PPR
	PO,POR	
	PPC	

Straight delivery coupling

Model	Ver	100	101	102	150	200	201	202	250	300	301	302	350	400	401	402	450	500	501	502	550
RD17	PPR																
	PPC	.			.																
RD22	P,PO,POR,PR																
	PPC					.			.												
RD32	P,PO,POR,PR																
	PPC									.			.								
RD42	P,PO,POR,PR												
	PPC												

Model	Ver	600	601	602	650	700	701	702	750	800	801	802	850	900	901	950	1000	1001
RD62	PPR
	PO,POR	
	PPC	

Straight suction coupling

Model	Ver	100	101	102	150	200	201	202	250	300	301	302	350	400	401	402	450	500	501	502	550
RDA22	P,PO,POR,PR																
	PPC					.			.												
RDA32	P,PO,POR,PR																
	PPC									.			.								
RDA42	P,PO,POR,PR												
	PPC												

Model	Ver	600	601	602	650	700	701	702	750	800	801	802	850	900	901	950	1000	1001
RDA62	PPR
	PO,POR	
	PPC	

90° delivery coupling.

Model	Ver	100	101	102	150	200	201	202	250	300	301	302	350	400	401	402	450	500	501	502	550
RP17	PPR																
	PPC	.			.																
RP22	P,PO,POR,PR																
	PPC					.			.												
RP32	P,PO,POR,PR																
	PPC									.			.								
RP42	P,PO,POR,PR												
	PPC												

Model	Ver	600	601	602	650	700	701	702	750	800	801	802	850	900	901	950	1000	1001
RP62	PPR
	PO,POR	
	PPC	

90° suction coupling.

Model	Ver	100	101	102	150	200	201	202	250	300	301	302	350	400	401	402	450	500	501	502	550
RPA22	P,PO,POR,PR																
	PPC					.			.												
RPA32	P,PO,POR,PR																
	PPC									.			.								
RPA42	P,PO,POR,PR												
	PPC												

Model	Ver	600	601	602	650	700	701	702	750	800	801	802	850	900	901	950	1000	1001
RPA62	PPR
	PO,POR	
	PPC	

Accessories for ducting

Plenum with motorised dampers.

Model	Ver	100	101	102	150	200	201	202	250	300	301	302	350	400	401	402	450	500	501	502	550	
MZC220	PO,POR																	
MZC320	PO,POR																	
MZC530	PO,POR												
Model	Ver	600	601	602	650	700	701	702	750	800	801	802	850	900	901	950	1000	1001				
MZC830	PO,POR

Straight intake connection with rectangular flange.

Model	Ver	100	101	102	150	200	201	202	250	300	301	302	350	400	401	402	450	500	501	502	550	
RDA000V	PO,POR																	
RDA100V	PO,POR																	
RDA200V	PO,POR												
Model	Ver	600	601	602	650	700	701	702	750	800	801	802	850	900	901	950	1000	1001				
RDA300V	PO,POR

Intake plenum with rectangular flange.

Model	Ver	100	101	102	150	200	201	202	250	300	301	302	350	400	401	402	450	500	501	502	550	
RPA000V	PO,POR																	
RPA100V	PO,POR																	
RPA200V	PO,POR												
Model	Ver	600	601	602	650	700	701	702	750	800	801	802	850	900	901	950	1000	1001				
RPA300V	PO,POR

Suction plenum with plastic circular flanges.

Model	Ver	100	101	102	150	200	201	202	250	300	301	302	350	400	401	402	450	500	501	502	550	
PA000V	PO,POR																	
PA100V	PO,POR																	
PA200V	PO,POR												
Model	Ver	600	601	602	650	700	701	702	750	800	801	802	850	900	901	950	1000	1001				
PA300V	PO,POR

Internally insulated delivery plenum with circular flanges.

Model	Ver	100	101	102	150	200	201	202	250	300	301	302	350	400	401	402	450	500	501	502	550	
PM000V	PO,POR																	
PM100V	PO,POR																	
PM200V	PO,POR												
Model	Ver	600	601	602	650	700	701	702	750	800	801	802	850	900	901	950	1000	1001				
PM300V	PO,POR

Internally insulated delivery plenum with rectangular flange.

Model	Ver	100	101	102	150	200	201	202	250	300	301	302	350	400	401	402	450	500	501	502	550	
RPM000V	PO,POR																	
RPM100V	PO,POR																	
RPM200V	PO,POR												
Model	Ver	600	601	602	650	700	701	702	750	800	801	802	850	900	901	950	1000	1001				
RPM300V	PO,POR

Straight delivery coupling in galvanised sheet metal.

Model	Ver	100	101	102	150	200	201	202	250	300	301	302	350	400	401	402	450	500	501	502	550	
RDM000V	PO,POR																	
RDM100V	PO,POR																	
RDM200V	PO,POR												
Model	Ver	600	601	602	650	700	701	702	750	800	801	802	850	900	901	950	1000	1001				
RDM300V	PO,POR

Straight discharge internally insulated, with circular flanges.

Model	Ver	100	101	102	150	200	201	202	250	300	301	302	350	400	401	402	450	500	501	502	550	
RDMC000V	PO,POR																	
RDMC100V	PO,POR																	
RDMC200V	PO,POR												
Model	Ver	600	601	602	650	700	701	702	750	800	801	802	850	900	901	950	1000	1001				
RDMC300V	PO,POR