

## FCW FCWI



### Wall installation

#### On/Off or Inverter Brushless motor

КЛИЕНТСКИ ЦЕНИ В ЛВ. БЕЗ ДДС

<b>Code</b>	FCW, FCWI
<b>Size</b>	23 - 33 - 43-53
<b>Microprocessor control board</b>	
V	with control board inside
<b>Valve</b>	
2V	(2-way valve fitted inside)
3V	(3-way valve fitted inside)
VL	(without valve)
<b>Without microprocessor control board</b>	
N	no control board inside

UNIT		Vers.	23	33	43	53
FCW	Fan coil Wall installation	VL	648 лв.	680 лв.	909 лв.	1,231 лв.
	Fan coil Wall installation	2V	723 лв.	788 лв.	1,040 лв.	1,350 лв.
	Fan coil Wall installation	3V	723 лв.	788 лв.	1,040 лв.	1,350 лв.
	Fan coil Wall installation	VL_N	615 лв.	648 лв.	877 лв.	1,203 лв.
	Fan coil Wall installation	2VN	690 лв.	755 лв.	1,007 лв.	1,319 лв.
	Fan coil Wall installation	3VN	690 лв.	755 лв.	1,007 лв.	1,319 лв.
FCWI	Fan coil Wall installation	VL	783 лв.	832 лв.	1,088 лв.	1,540 лв.
	Fan coil Wall installation	2V	864 лв.	940 лв.	1,219 лв.	1,680 лв.
	Fan coil Wall installation	3V	864 лв.	940 лв.	1,219 лв.	1,680 лв.

#### ACCESSORIES for On/Off fan coils FCW

For versions with microprocessor controller FCW_2V_3V_VL		FCW	23	33	43	53
TLW4	Infrared remote control	2V-3V-VL	50 лв.	50 лв.	50 лв.	50 лв.
PFW5	Wired control panel only for one fan coil	2V-3V-VL	80 лв.	80 лв.	80 лв.	80 лв.
FCWCP	cold plasma mounting kit	2V-3V-VL	47 лв.	47 лв.	47 лв.	47 лв.
VMF-485LINK	Expansion to interface the unit, making it possible to manage it from the VMF-E5 or VMF-E6 supervisors	2V-3V-VL	115 лв.	115 лв.	115 лв.	115 лв.

#### ACCESSORIES for fan coils with Inverter brushless motor FCWI

For versions with microprocessor controller FCWI_2V_3V_VL		FCWI	23	33	43	53
TLW4	Infrared remote control	2V-3V-VL	50 лв.	50 лв.	50 лв.	50 лв.
PFW4	Wired control panel only for one fan coil	2V-3V-VL	80 лв.	80 лв.	80 лв.	80 лв.
FCWCP	cold plasma mounting kit	2V-3V-VL	47 лв.	47 лв.	47 лв.	47 лв.
VMF-485LINK	Expansion to interface the unit, making it possible to manage it from the VMF-E5 or VMF-E6 supervisors	2V-3V-VL	115 лв.	115 лв.	115 лв.	115 лв.

# FCW

## Fan coils wall-mount installation



- Versions with internal 2 or 3-way valve
- Compact dimensions



### DESCRIPTION

Fan coil model for wall-mount installations, whose elegance and reduced dimensions make it aesthetically pleasing; this terminal is thus suitable for applications in residential or light commercial sectors. To respond to the various system requirements, the product is configurable and available with or without (2- or 3-way) valve, as well as with or without control board, which ensures compatibility with various system requirements. Fan coils without control board must be necessarily combined with an external control device.

### VERSIONS

- 2V** Internal 2-way valve and microprocessor control
- 2VN** Internal 2-way valve without microprocessor control
- 3V** Internal 3-way valve and microprocessor control
- 3VN** Internal 3-way valve without microprocessor control
- VL** Without internal valve but with microprocessor control
- VLN** Without internal valve and microprocessor control

### FEATURES

#### Case

- Aesthetically styled with flat panel:
- Microprocessor control
- Air flow louvered louvers with horizontal adjustment facility

— Colors pure white pantone GRIS 1C RAL 9010.

#### Ventilation group

Consisting of a tangential fan, especially quiet and directly coupled to the motor shaft.  
Three-speed cross flow fan.

#### Finned pack heat exchanger

With copper pipes and aluminium louvers, the main heat exchanger has female gas water connections on the left side and the manifolds have air vents.  
The coil is not suitable for use in corrosive atmosphere or in environments where aluminium may be subject to corrosion.

#### Air filter

Fan coils are fitted with air filters easy to remove and clean.

#### Control

- The versions with microprocessor control have:
- Timer for programming switch-off or switch-on (TLW4 e PFW5)
  - Program for operation in automatic, cooling, heating, ventilation and air ionising mode (TLW4 e PFW5)
  - Night time Well-being Program (TLW4)
  - Automatic season change (TLW4 e PFW5)
  - Automatic re-start after power cut.

## ACCESSORIES

**FCWCP:** Cold plasma mounting kit

For models with control board installed

**FCW\_2V, 3V, VL** it is mandatory to select among the user interfaces designed for the FCW series (TLW4 o PFW5)

**PFW5:** This accessory is essential for fan coil operation (as an alternative to TLW4). The PFW5 wired panel is supplied separately from the fan coil. It is used to set the main device operating parameters, and is essential for setting the Modbus address of the unit (handy only if you want to command the unit via the RS-485 port).

**TLW4:** Mandatory accessory. Infrared remote control with liquid crystal display for controlling all unit functions. The remote control is delivered separately from the fan coil; with a single remote control it is possible to control more than one fan coil. The remote control is equipped with a support that allows you to hang it on the wall, from which it can be operated without having to be removed.



**PFW5**



**TLW4**

For models without control board installed

**FCW\_2VN, 3VN, VLN** a user interface must be mounted outside the fan coil, using either a visible or a recessed wall-mount installation.

To make the selection please refer to the "control panels" or "VMF system shett" where you will find comprehensive information on this topic.

**VMF-485LINK:** Expansion to interface the unit with the VMF communication protocol, making it possible to manage it from the VMF-E5 or VMF-E6 supervisors.

## ACCESSORIES COMPATIBILITY

### Control panels and dedicated accessories

Accessory	FCW23VL	FCW33VL	FCW43VL	FCW53VL	FCW232V	FCW233V
PFW5 (1)	.	.	.	.	.	.
TLW4 (1)	.	.	.	.	.	.

Accessory	FCW332V	FCW333V	FCW432V	FCW433V	FCW532V	FCW533V
PFW5 (1)	.	.	.	.	.	.
TLW4 (1)	.	.	.	.	.	.

(1) Mandatory accessory.

### Cold plasma mounting kit

Accessory	FCW23VL	FCW33VL	FCW43VL	FCW53VL	FCW232V	FCW232VN	FCW233V	FCW233VN	FCW332V	FCW332VN
FCWCP	.	.	.	.	.	.	.	.	.	.

Accessory	FCW333V	FCW333VN	FCW432V	FCW432VN	FCW433V	FCW433VN	FCW532V	FCW532VN	FCW533V	FCW533VN
FCWCP	.	.	.	.	.	.	.	.	.	.

### VMF system

Accessory	FCW23VL	FCW33VL	FCW43VL	FCW53VL	FCW232V	FCW233V
VMF-485LINK	.	.	.	.	.	.

Accessory	FCW332V	FCW333V	FCW432V	FCW433V	FCW532V	FCW533V
VMF-485LINK	.	.	.	.	.	.

**The VMF-485LINK accessory is not compatible with radiant floor heating systems.**

## PERFORMANCE SPECIFICATIONS

### 2-pipe

	FCW23VL			FCW33VL			FCW43VL			FCW53VL			FCW232V			FCW233V		
	1	2	3	1	2	3	1	2	3	1	2	3	1	2	3	1	2	3
	L	M	H	L	M	H	L	M	H	L	M	H	L	M	H	L	M	H

#### Heating performance 70 °C / 60 °C (1)

Heating capacity	kW	2,85	3,66	4,29	3,73	4,51	5,24	6,44	7,84	8,56	8,20	13,06	15,28	2,35	3,02	4,03	2,35	3,02	4,03
Water flow rate system side	l/h	250	321	377	328	396	460	565	688	751	718	1145	1339	206	265	354	206	265	354
Pressure drop system side	kPa	4	6	9	9	12	16	16	22	26	10	23	30	9	14	24	9	14	24

#### Heating performance 45 °C / 40 °C (2)

Heating capacity	kW	1,42	1,82	2,14	1,85	2,24	2,61	3,21	3,90	4,26	4,10	6,50	7,60	1,17	1,50	2,00	1,17	1,50	2,00
Water flow rate system side	l/h	246	316	371	322	390	453	556	677	739	712	1129	1320	203	261	348	203	261	348
Pressure drop system side	kPa	4	6	8	9	12	16	15	22	25	10	22	29	9	14	24	9	14	24

#### Cooling performance 7 °C / 12 °C

Cooling capacity	kW	1,37	1,74	2,05	1,78	2,15	2,50	3,07	3,74	4,08	4,40	6,50	7,45	1,10	1,45	1,90	1,10	1,45	1,90
Sensible cooling capacity	kW	1,16	1,47	1,73	1,51	1,82	2,04	2,59	3,10	3,47	3,30	5,05	5,80	0,92	1,20	1,55	0,92	1,20	1,55
Water flow rate system side	l/h	236	299	353	306	370	430	528	643	702	755	1115	1278	189	249	327	189	249	327
Pressure drop system side	kPa	5	7	9	8	11	15	15	21	26	12	24	30	9	14	23	9	14	23

#### Fan

Type	type	Tangential			Tangential			Tangential			Tangential			Tangential					
Fan motor	type	Asynchronous			Asynchronous			Asynchronous			Asynchronous			Asynchronous					
Number	no.	1			1			1			1			1					
Air flow rate	m <sup>3</sup> /h	280	340	389	330	400	446	476	602	684	592	945	1179	270	330	380	270	330	380
Input power	W	23	24	27	22	23	27	31	41	48	38	55	75	23	24	27	23	24	27

#### Fan coil sound data (3)

Sound power level	dB(A)	42,0	48,0	53,0	42,0	48,0	53,0	44,0	49,0	54,0	44,0	54,0	60,0	42,0	48,0	53,0	42,0	48,0	53,0
Sound pressure	dB(A)	34,0	39,5	44,5	34,0	39,5	44,5	35,5	40,5	45,5	35,5	45,5	51,5	34,0	39,5	44,5	34,0	39,5	44,5

#### Diameter hydraulic fittings

Main heat exchanger	Ø	1/2"			1/2"			1/2"			3/4"			1/2"			1/2"		
---------------------	---	------	--	--	------	--	--	------	--	--	------	--	--	------	--	--	------	--	--

#### Power supply

Power supply		230V~50Hz			230V~50Hz			230V~50Hz			230V~50Hz			230V~50Hz			230V~50Hz		
--------------	--	-----------	--	--	-----------	--	--	-----------	--	--	-----------	--	--	-----------	--	--	-----------	--	--

	FCW332V			FCW333V			FCW432V			FCW433V			FCW532V			FCW533V		
	1	2	3	1	2	3	1	2	3	1	2	3	1	2	3	1	2	3
	L	M	H	L	M	H	L	M	H	L	M	H	L	M	H	L	M	H

#### Heating performance 70 °C / 60 °C (1)

Heating capacity	kW	3,25	4,36	5,03	3,25	4,36	5,03	6,29	7,23	7,97	6,29	7,23	7,97	8,04	11,80	14,00	8,04	11,80	14,00
Water flow rate system side	l/h	286	383	442	286	383	442	552	635	699	552	635	699	704	1034	1227	704	1034	1227
Pressure drop system side	kPa	13	22	29	13	22	29	21	27	32	21	27	32	10	21	28	10	21	28

#### Heating performance 45 °C / 40 °C (2)

Heating capacity	kW	1,62	2,17	2,50	1,62	2,17	2,50	3,13	3,60	3,96	3,13	3,60	3,96	4,00	5,90	7,00	4,00	5,90	7,00
Water flow rate system side	l/h	281	377	434	281	377	434	543	624	688	543	624	688	695	1025	1216	695	1025	1216
Pressure drop system side	kPa	13	22	29	13	22	29	20	26	31	20	26	31	11	22	30	11	22	30

#### Cooling performance 7 °C / 12 °C

Cooling capacity	kW	1,55	2,08	2,40	1,55	2,08	2,40	3,00	3,45	3,80	3,00	3,45	3,80	4,00	6,00	7,00	4,00	6,00	7,00
Sensible cooling capacity	kW	1,28	1,68	1,97	1,28	1,68	1,97	2,01	2,50	2,85	2,01	2,50	2,85	2,85	4,50	5,30	2,85	4,50	5,30
Water flow rate system side	l/h	267	358	413	267	358	413	516	593	654	516	593	654	686	1030	1201	686	1030	1201
Pressure drop system side	kPa	13	22	29	13	22	29	21	27	32	21	27	32	11	23	30	11	23	30

#### Fan

Type	type	Tangential			Tangential			Tangential			Tangential			Tangential					
Fan motor	type	Asynchronous			Asynchronous			Asynchronous			Asynchronous			Asynchronous					
Number	no.	1			1			1			1			1					
Air flow rate	m <sup>3</sup> /h	320	390	440	320	390	440	370	470	540	370	470	540	535	859	1082	535	859	1082
Input power	W	22	23	27	22	23	27	31	41	48	31	41	48	38	55	75	38	55	75

#### Fan coil sound data (3)

Sound power level	dB(A)	42,0	48,0	53,0	42,0	48,0	53,0	44,0	49,0	54,0	44,0	49,0	54,0	44,0	54,0	60,0	44,0	54,0	60,0
Sound pressure	dB(A)	34,0	39,5	44,5	34,0	39,5	44,5	35,5	40,5	45,5	35,5	40,5	45,5	35,5	45,5	51,5	35,5	45,5	51,5

#### Diameter hydraulic fittings

Main heat exchanger	Ø	1/2"			1/2"			1/2"			1/2"			3/4"			3/4"		
---------------------	---	------	--	--	------	--	--	------	--	--	------	--	--	------	--	--	------	--	--

#### Power supply

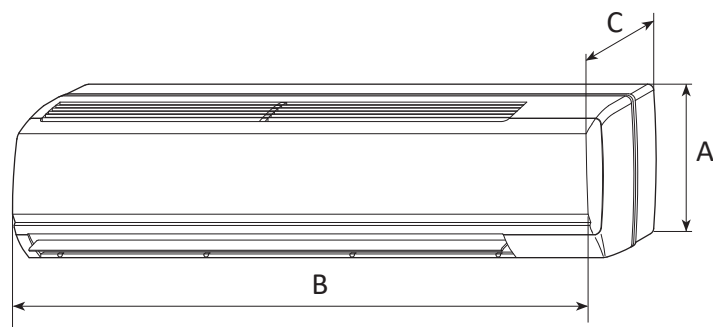
Power supply		230V~50Hz			230V~50Hz			230V~50Hz			230V~50Hz			230V~50Hz			230V~50Hz		
--------------	--	-----------	--	--	-----------	--	--	-----------	--	--	-----------	--	--	-----------	--	--	-----------	--	--

(1) Room air temperature 20 °C d.b.; Water (in/out) 70 °C/60 °C

(2) Room air temperature 20°C d.b.; Water (in/out) 45°C/40°C; EUROVENT

(3) Aermec determines the sound power value on the basis of measurements taken in accordance with standard UNI EN 16583:15, respecting the Eurovent certification.

## DIMENSIONS



		FCW23VL	FCW33VL	FCW43VL	FCW53VL	FCW232V	FCW233V
<b>Dimensions and weights</b>							
A	mm	298	305	360	365	298	298
B	mm	880	990	1170	1450	880	880
C	mm	205	210	220	230	205	205
Empty weight	kg	9	10	19	28	9	9
		FCW332V	FCW333V	FCW432V	FCW433V	FCW532V	FCW533V
<b>Dimensions and weights</b>							
A	mm	305	305	360	360	365	365
B	mm	990	990	1170	1170	1450	1450
C	mm	210	210	220	220	230	230
Empty weight	kg	10	10	19	19	28	28

Aermec si riserva la facoltà di apportare in qualsiasi momento tutte le modifiche ritenute necessarie per il miglioramento del prodotto con eventuale modifica dei relativi dati tecnici.

**Aermec S.p.A.**  
Via Roma, 996 - 37040 Bevilacqua (VR) - Italia  
Tel. 0442633111 - Telefax 044293577  
www.aermec.com

Numero Verde  
**800-843085**