

DMT

Dehumidifier portable

Dehumidifying capacity 0,40 l/h ÷ 1,00 l/h



- **New R290 natural refrigerant gas.**
- **Compact, manoeuvrable and silent.**
- **Modern design to blend with all furnishing styles.**
- **Removes up to 24 litres of humidity in 24 hours.**



DESCRIPTION

The portable dehumidifiers of the DMT range are ideal for dehumidifying domestic rooms, cellars, and places where clothes are hung out to dry, reducing the humidity to optimum levels to avoid any risk of physical discomfort and damage to the building due to the formation of mould.

They fit in with any type of furnishings thanks to their compact, elegant design, and even have wheels so they can easily be moved from one room to another and installed where needed (plug & play).

Equipped with a specific tray for collecting the humidity removed from the room during operation.

The on-board control panel with led display and indicator lights, allows you to set the required temperature set-point easily and accurately.

FEATURES

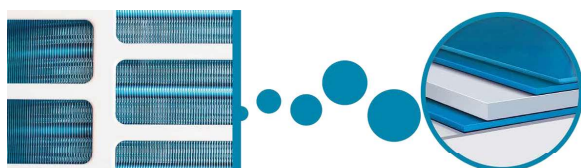
Operation

The dehumidifier takes in the excess humidity via the recovery grille and releases humidity-free air, thereby ensuring a healthier, more comfortable environment.

In addition, its functions enable easy control of the humidity level, keeping it constant over time.

Special blue fin coil

Unlike normal batteries, this special blue epoxy coating is able to protect the heat exchanger against rust and corrosion, in areas where the air has a high salt content.



DMT160

- New R290 natural refrigerant gas.
- On-board control panel with led display and indicator lights.
- Visual display of the humidity setting and that read in the room.

- Particularly quiet operation.
- Regenerable air filter easy to remove and clean.
- Alarm signal for filter cleaning.
- Alarm signal for condensate discharge tray full or badly positioned.
- Possibility to continuously drain off the condensate without using the tray supplied.
- Auto switch-off function: the unit stops operating when the condensate discharge tray is full or badly positioned, or when it has reached the defined work set-point.
- Auto-restart function.
- Timer for programming switch-off and switch-on.
- WiFi function

DMT240

- New R290 natural refrigerant gas.
- On-board control panel with led display and indicator lights.
- Visual display of the humidity setting and that read in the room.
- Particularly quiet operation.
- Regenerable air filter easy to remove and clean.
- Alarm signal for filter cleaning.
- Alarm signal for condensate discharge tray full or badly positioned.
- Possibility to continuously drain off the condensate without using the tray supplied.
- Auto switch-off function: the unit stops operating when the condensate discharge tray is full or badly positioned, or when it has reached the defined work set-point.
- Auto-restart function.
- Timer for programming switch-off and switch-on.
- Auto function: automatic drying mode. The unit automatically sets the most comfortable humidity.

- Swivel wheels
- Power supply + Schuko plug
- Condensate discharge coupling

PERFORMANCE SPECIFICATIONS

		DMT160	DMT240
Nominal performance (1)			
Dehumidifying capacity	l/h	0,66	1,00
Input power	W	370	390
Nominal performance (Standard EN 810) (2)			
Dehumidifying capacity	l/h	0,40	0,48
Input power	W	315	325
Input current	A	1,7	1,8
Electric data			
Rated power input (3)	W	510	460
Rated current input (3)	A	3,0	3,0
Compressor			
Type	type		Reciprocating
Refrigerant	type		R290
Refrigerant charge	g	65	65
Potential global heating	GWP		3
Equivalent CO ₂	t	0,20	0,20
Fan			
Type	type		Centrifugal
Air flow rate			
Maximum	m ³ /h	170	220
Minimum	m ³ /h	145	155
Sound power			
Maximum	dB(A)	53,0	56,0
Minimum	dB(A)	51,0	54,0
Sound pressure (4)			
Maximum	dB(A)	39,0	44,0
Minimum	dB(A)	37,0	42,0
Condensate drainage basin			
Capacity	l	2,6/3,0	2,6/3,0
Performances			
Application area	m ²	22~28	36~42
Power supply cable			
Type of power supply cable	Type		Schuko
Power supply			
Power supply			220-240V ~ 50Hz
Цена с ключен ДДС	ЛВ.	662,-	742,-

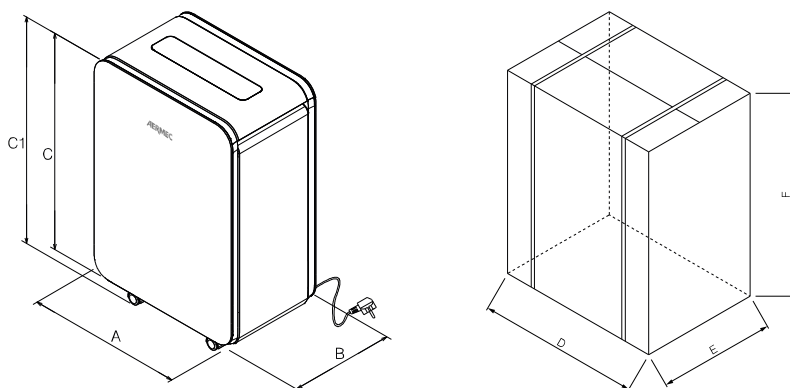
(1) Indoor air temperature 30°C D.B. / 27°C W.B.

(2) Indoor air temperature 27°C h.s./21°C b.u. (Tested according to EN 810)

(3) Tested according to EN 60335.

(4) Sound pressure measured according to EN 12102 standard, in semi anechoic chamber at a distance of 1 m from the source.

DIMENSIONS AND WEIGHTS



Dimensions and weights

		DMT160	DMT240
Dimensions and weights			
A	mm	351	351
B	mm	240	240
C	mm	489	489
C1	mm	522	522
D	mm	392	392
E	mm	286	286
F	mm	525	525
Net weight	kg	15,5	15,5
Weight for transport	kg	16,5	16,5